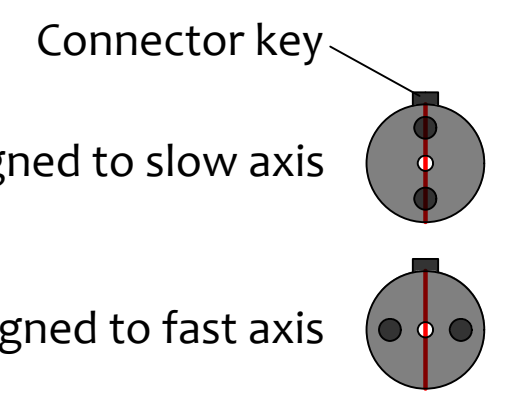
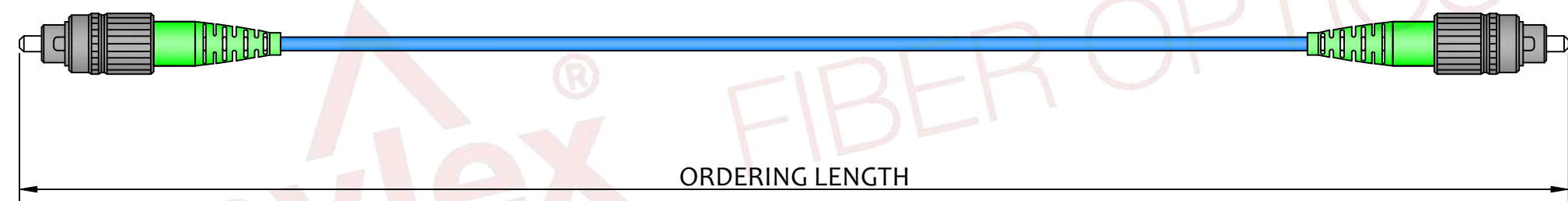


OUTER JACKET COLOUR:
 BLUE - key aligned to fast axis
 WHITE - key aligned to slow axis



ORDERING CODE

S19M-XX1-xxxx-X

- S** Special patchcord
- M** Panda fiber 1550nm **
- H** FC/APC *
- H** FC/APC *
- CABLE LENGTH *****
- F** fast axis, **S** slow axis

NOTES :

- 1 - DUST CAPS ARE INCLUDED, BUT NOT SHOWN
- 2 - CUMULATIVE TEST REPORT OF MEASURED IL, RL AND ER VALUES SENT ON DEMAND IN ELECTRONIC FORM
- 3 - OS2 - IL<0.25dB, RL>60dB [GUARANTEED VALUE FOR LENGHT <1.8m], ER≥25dB, 1550nm***
 POLARIZATION ANGLE TOLERANCE ±3 degrees
 IL CONNECTOR VALUE ACCORDING IEC 61300-3-4 method B
 RL CONNECTOR VALUE ACCORDING IEC 61300-3-6
- 4 - VISUAL ASPECT CHECK ACCORDING TO IEC 61300-3-35.
 END FACE GEOMETRY ACCORDING TO TELCORDIA GR-326
- 5 - CABLE LENGTH TOLERANCES AND FANOUT LENGTH TOLERANCES ACCORDING TO SYLEX STANDARD [1-S-8000](#)
- 6 - TRACEBILITY LABEL ON THE CABLE CONTAINS SERIAL NUMBER, DATE OF PRODUCTION AND ASSEMBLY LENGTH

* OTHER CONNECTOR TYPES ON REQUEST
 ** OTHER WAVELENGTH ON REQUEST
 *** FOR INFRARED WAVELENGTHS APPLICATIONS MIN LENGTH 0.3M.
 FOR VISIBLE WAVELENGTHS APPLICATIONS MIN LENGTH 2M.
 MAX RECOMMENDED LENGTH LESS THAN 50M.

REVISION-DATE: A - 29.05.2023	CHANGE:	DRAWN BY, DATE: M.Ruzbarsky 2023/05/29	TITLE: Polarization-maintaining Simplex Jumper		
New drawing		CHECKED BY, DATE: L.Miskerik			
REVISION-DATE:	CHANGE:	APPROVED BY, DATE: Matus/Smelh.	PRODUCT SPECIFICATION: -	DIMENSIONS IN MM UNLESS SPECIFIED	SCALE: NO SCALE
REVISION-DATE: X - DD.MM.YYYY	CHANGE:	PRODUCT NUMBER: S19M-XX1-xxx-X	DRAWING NUMBER: 1-W-9435_1_A	SHEET NO. 1 of 1	
		THIS DRAWING CONTAINS INFORMATION THAT IS PROPRIETARY TO SYLEX s.r.o AND ANY USE WITHOUT PRIOR WRITTEN PERMISSION IS PROHIBITED			SIZE A3