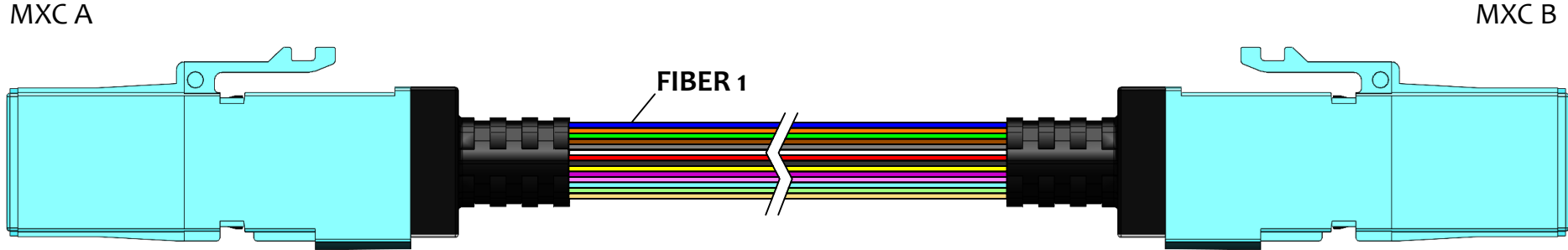


MXC® Plug RECESSED FERRULE - MXC® Plug RECESSED FERRULE

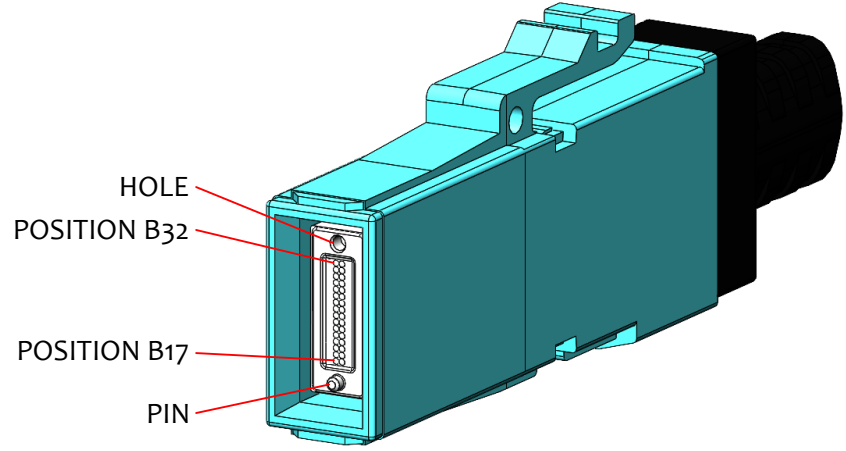
FOR OTHER COMBINATION PLEASE SEE NEXT PAGE

TYPE A



CONNECTION TABLE	
MXC A	MXC B
B17	C33
B18	C34
B19	C35
B20	C36
B21	C37
B22	C38
B23	C39
B24	C40
B25	C41
B26	C42
B27	C43
B28	C44
B29	C45
B30	C46
B31	C47
B32	C48

CONNECTION TABLE	
MXC A	MXC B
C33	B17
C34	B18
C35	B19
C36	B20
C37	B21
C38	B22
C39	B23
C40	B24
C41	B25
C42	B26
C43	B27
C44	B28
C45	B29
C46	B30
C47	B31
C48	B32

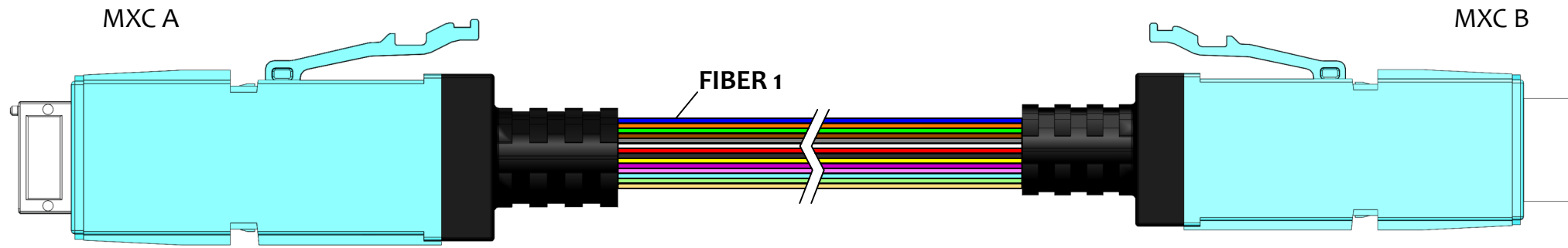


REVISION-DATE: A - 01.10.2020 CHANGE: New drawing	DRAWN BY, DATE: M.Ruzbarsky 2020/10/01 CHECKED BY, DATE: Matus/Smel. 2020/10/01 APPROVED BY, DATE: L.Miskerik 2020/10/01	TITLES: TYPES OF POLARITIES FOR MXC 32 (2x16) FIBER CABLE		
REVISION-DATE: CHANGE: REVISION-DATE: CHANGE:	PRODUCT SPECIFICATION: QPN /SPEC. DIMENSIONS IN MM UNLESS SPECIFIED DRAWING NUMBER: 1-W-8169_1_A SHEET NO. 1 of 6	SCALE: NO SCALE SIZE: A3		
sylex		THIS DRAWING CONTAINS INFORMATION THAT IS PROPRIETARY TO SYLEX s.r.o AND SHOULD NOT BE USED WITHOUT WRITTEN PERMISSION		

MXC® Plug PROTRUDED FERRULE - MXC® Plug PROTRUDED FERRULE

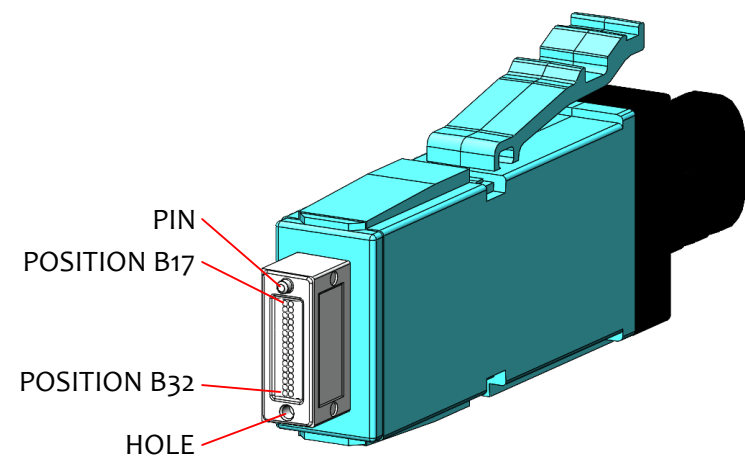
FOR OTHER COMBINATION PLEASE SEE NEXT PAGE

TYPE A



CONNECTION TABLE	
MXC A	MXC B
B17	C33
B18	C34
B19	C35
B20	C36
B21	C37
B22	C38
B23	C39
B24	C40
B25	C41
B26	C42
B27	C43
B28	C44
B29	C45
B30	C46
B31	C47
B32	C48

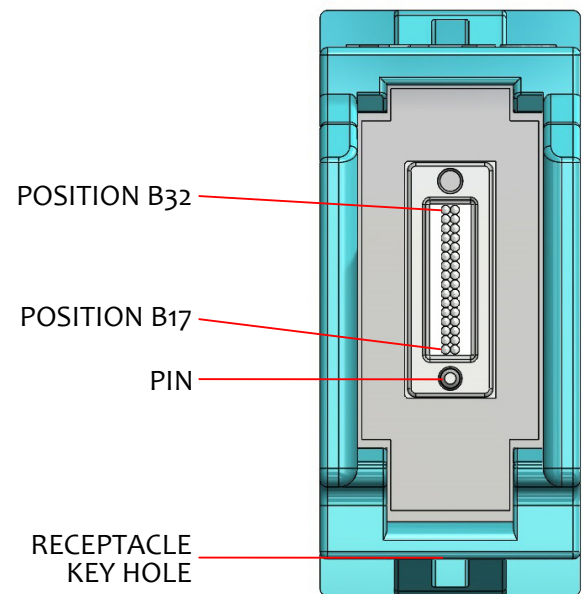
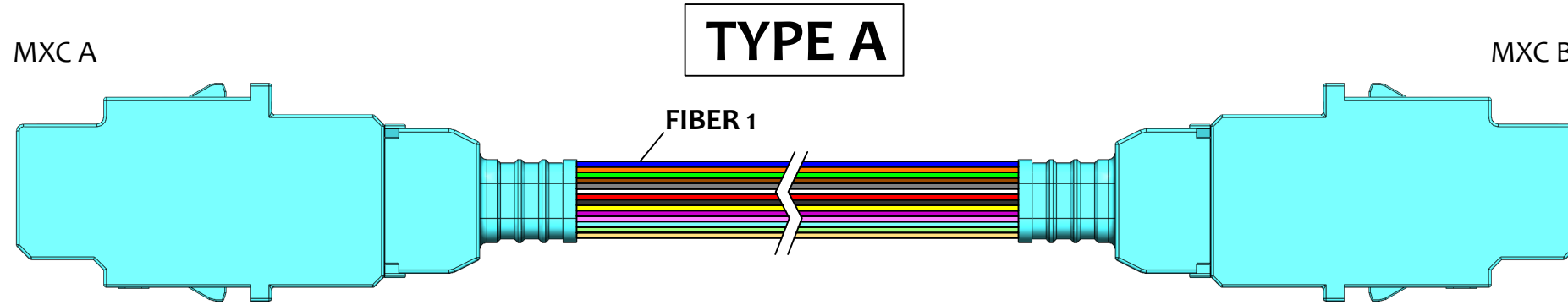
CONNECTION TABLE	
MXC A	MXC B
C33	B17
C34	B18
C35	B19
C36	B20
C37	B21
C38	B22
C39	B23
C40	B24
C41	B25
C42	B26
C43	B27
C44	B28
C45	B29
C46	B30
C47	B31
C48	B32



REVISION-DATE: A - 01.10.2020 CHANGE: New drawing	DRAWN BY, DATE: M.Ruzbarsky 2020/10/01	TITLE: TYPES OF POLARITIES FOR MXC 32 (2x16) FIBER CABLE	
REVISION-DATE: CHANGE:	CHECKED BY, DATE: Matus/Smel. 2020/10/01	APPROVED BY, DATE: L.Miskerik 2020/10/01	PRODUCT SPECIFICATION: QPN /SPEC.
REVISION-DATE: CHANGE:	PRODUCT NUMBER: 	DIMENSIONS IN MM UNLESS SPECIFIED	SCALE: NO SCALE
B		DRAWING NUMBER: 1-W-8169_2_A	SHEET NO. 2 of 6
THIS DRAWING CONTAINS INFORMATION THAT IS PROPRIETARY TO SYLEX s.r.o AND SHOULD NOT BE USED WITHOUT WRITTEN PERMISSION			SIZE A3

MXC® Receptacle - MXC® Receptacle

FOR OTHER COMBINATION PLEASE SEE NEXT PAGE



CONNECTION TABLE	
MXC A	MXC B
B17	C33
B18	C34
B19	C35
B20	C36
B21	C37
B22	C38
B23	C39
B24	C40
B25	C41
B26	C42
B27	C43
B28	C44
B29	C45
B30	C46
B31	C47
B32	C48

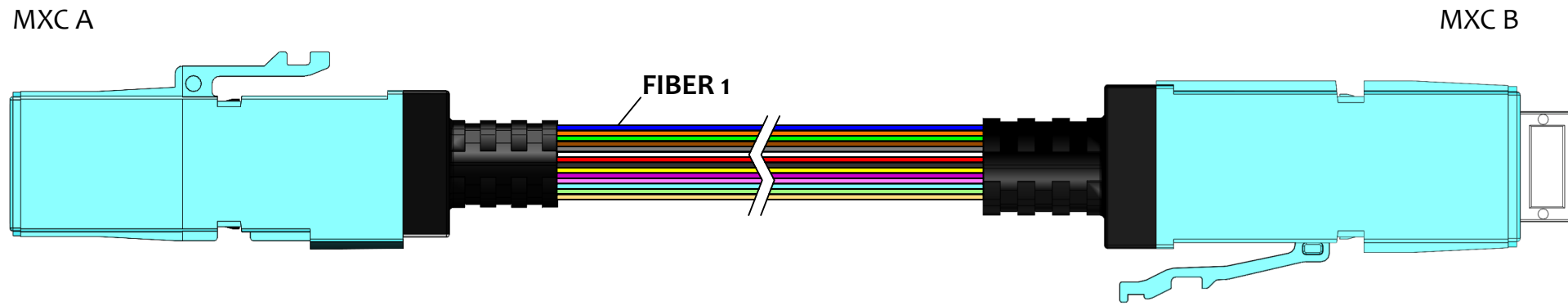
CONNECTION TABLE	
MXC A	MXC B
C33	B17
C34	B18
C35	B19
C36	B20
C37	B21
C38	B22
C39	B23
C40	B24
C41	B25
C42	B26
C43	B27
C44	B28
C45	B29
C46	B30
C47	B31
C48	B32

REVISION-DATE: A - 01.10.2020 CHANGE: New drawing	DRAWN BY, DATE: M.Ruzbarsky 2020/10/01 CHECKED BY, DATE: Matus/Smel. 2020/10/01 APPROVED BY, DATE: L.Miskerik 2020/10/01	TITLE: TYPES OF POLARITIES FOR MXC 32 (2x16) FIBER CABLE		
REVISION-DATE: _____ CHANGE: _____ REVISION-DATE: _____ CHANGE: _____	PRODUCT SPECIFICATION: QPN /SPEC. PRODUCT NUMBER: sylex	DIMENSIONS IN MM UNLESS SPECIFIED DRAWING NUMBER: 1-W-8169_3_A	SCALE: NO SCALE SHEET NO. 3 of 6	
B		THIS DRAWING CONTAINS INFORMATION THAT IS PROPRIETARY TO SYLEX s.r.o AND SHOULD NOT BE USED WITHOUT WRITTEN PERMISSION		
SIZE A3				

MXC® Plug RECESSED FERRULE - MXC® Plug PROTRUDED FERRULE

FOR OTHER COMBINATION PLEASE SEE NEXT PAGE

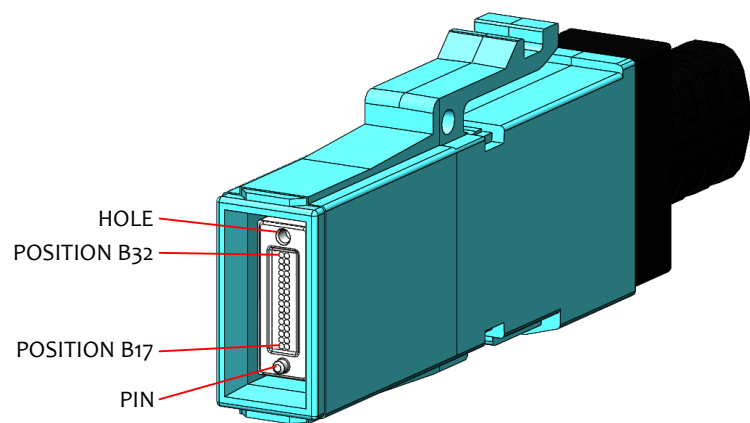
TYPE A



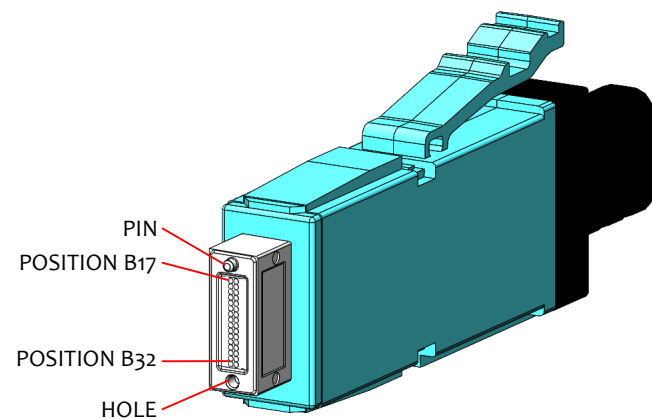
CONNECTION TABLE	
MXC A	MXC B
B17	C33
B18	C34
B19	C35
B20	C36
B21	C37
B22	C38
B23	C39
B24	C40
B25	C41
B26	C42
B27	C43
B28	C44
B29	C45
B30	C46
B31	C47
B32	C48

CONNECTION TABLE	
MXC A	MXC B
C33	B17
C34	B18
C35	B19
C36	B20
C37	B21
C38	B22
C39	B23
C40	B24
C41	B25
C42	B26
C43	B27
C44	B28
C45	B29
C46	B30
C47	B31
C48	B32

MXC® Plug RECESSED FERRULE



MXC® Plug PROTRUDED FERRULE

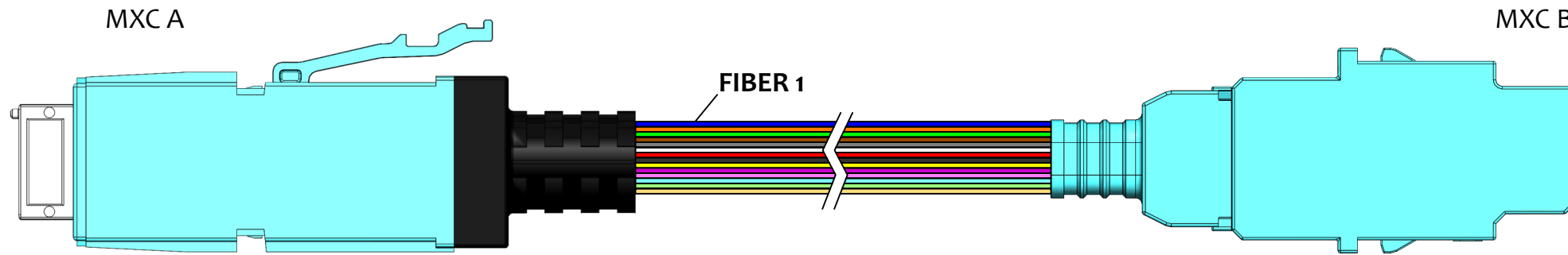


REVISION-DATE: A - 01.10.2020	CHANGE:	DRAWN BY, DATE: M.Ruzbarsky 2020/10/01	TITLE: TYPES OF POLARITIES FOR MXC 32 (2x16) FIBER CABLE		
New drawing		CHECKED BY, DATE: Matus/Smel. 2020/10/01	PRODUCT SPECIFICATION: QPN /SPEC.		
REVISION-DATE:	CHANGE:	APPROVED BY, DATE: L.Miskerik 2020/10/01	DIMENSIONS IN MM UNLESS SPECIFIED	SCALE: NO SCALE	
REVISION-DATE:	CHANGE:	PRODUCT NUMBER: B	DRAWING NUMBER: 1-W-8169_4_A	SHEET NO. 4 of 6	
THIS DRAWING CONTAINS INFORMATION THAT IS PROPRIETARY TO SYLEX s.r.o AND SHOULD NOT BE USED WITHOUT WRITTEN PERMISSION			SIZE A3		

MXC® Plug PROTRUDED FERRULE - MXC® Receptacle

FOR OTHER COMBINATION PLEASE SEE NEXT PAGE

TYPE A

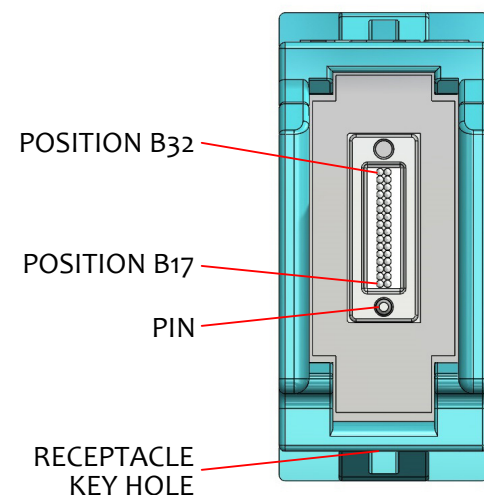
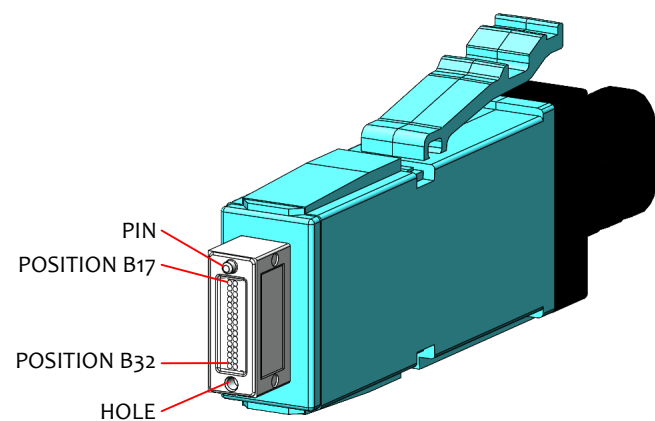


CONNECTION TABLE	
MXC A	MXC B
B17	C33
B18	C34
B19	C35
B20	C36
B21	C37
B22	C38
B23	C39
B24	C40
B25	C41
B26	C42
B27	C43
B28	C44
B29	C45
B30	C46
B31	C47
B32	C48

CONNECTION TABLE	
MXC A	MXC B
C33	B17
C34	B18
C35	B19
C36	B20
C37	B21
C38	B22
C39	B23
C40	B24
C41	B25
C42	B26
C43	B27
C44	B28
C45	B29
C46	B30
C47	B31
C48	B32

MXC® Plug PROTRUDED FERRULE

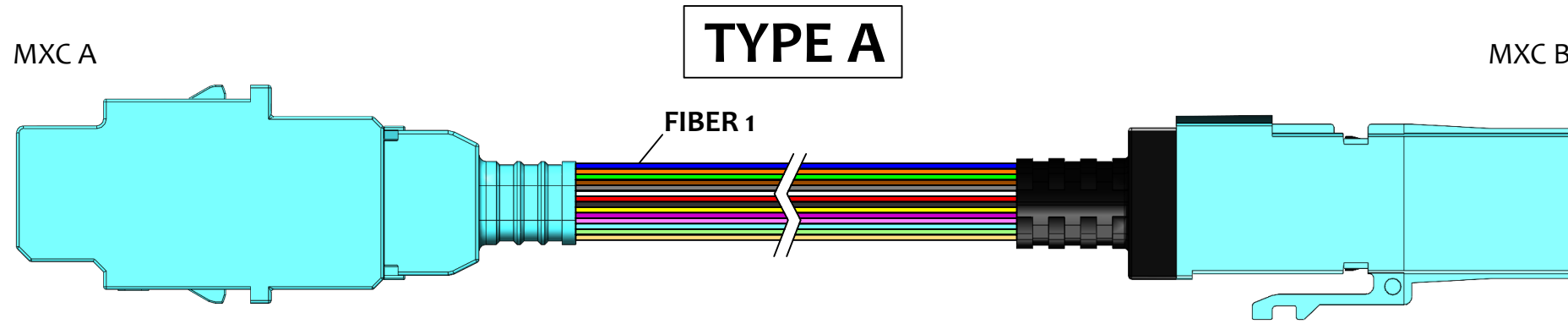
MXC® Receptacle



REVISION-DATE: A - 01.10.2020	CHANGE:	DRAWN BY, DATE: M.Ruzbarsky 2020/10/01	TITLE: TYPES OF POLARITIES FOR MXC 32 (2x16) FIBER CABLE	
New drawing		CHECKED BY, DATE: Matus/Smel. 2020/10/01	PRODUCT SPECIFICATION: QPN /SPEC.	
REVISION-DATE:		APPROVED BY, DATE: L.Miskerik 2020/10/01	DIMENSIONS IN MM UNLESS SPECIFIED	SCALE: NO SCALE
REVISION-DATE:		PRODUCT NUMBER: sylex	DRAWING NUMBER: 1-W-8169_5_A	SHEET NO. 5 of 6
REVISION-DATE:		THIS DRAWING CONTAINS INFORMATION THAT IS PROPRIETARY TO SYLEX s.r.o AND SHOULD NOT BE USED WITHOUT WRITTEN PERMISSION		SIZE A3

MXC® Receptacle - MXC® Plug RECESSED FERRULE

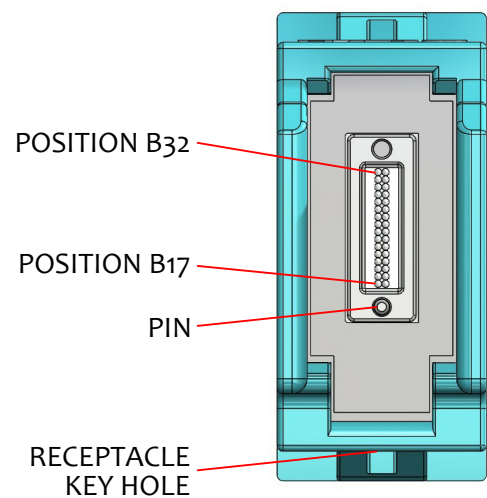
FOR OTHER COMBINATION PLEASE SEE NEXT PAGE



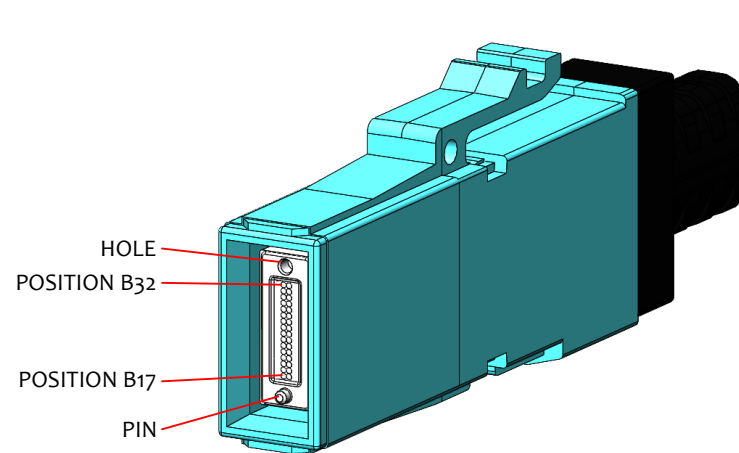
CONNECTION TABLE	
MXC A	MXC B
B17	C33
B18	C34
B19	C35
B20	C36
B21	C37
B22	C38
B23	C39
B24	C40
B25	C41
B26	C42
B27	C43
B28	C44
B29	C45
B30	C46
B31	C47
B32	C48

CONNECTION TABLE	
MXC A	MXC B
C33	B17
C34	B18
C35	B19
C36	B20
C37	B21
C38	B22
C39	B23
C40	B24
C41	B25
C42	B26
C43	B27
C44	B28
C45	B29
C46	B30
C47	B31
C48	B32

MXC® Receptacle



MXC® Plug RECESSED FERRULE



REVISION-DATE: A - 01.10.2020	CHANGE:	DRAWN BY, DATE: M.Ruzbarsky 2020/10/01	TITLE: TYPES OF POLARITIES FOR MXC 32 (2x16) FIBER CABLE	
New drawing		CHECKED BY, DATE: Matus/Smel. 2020/10/01	PRODUCT SPECIFICATION: QPN /SPEC.	DIMENSIONS IN MM UNLESS SPECIFIED
REVISION-DATE:	CHANGE:	APPROVED BY, DATE: L.Miskerik 2020/10/01	DRAWING NUMBER: 1-W-8169_6_A	SCALE: NO SCALE
REVISION-DATE:	CHANGE:	PRODUCT NUMBER: B	SHEET NO. 6 of 6	SIZE A3
THIS DRAWING CONTAINS INFORMATION THAT IS PROPRIETARY TO SYLEX s.r.o AND SHOULD NOT BE USED WITHOUT WRITTEN PERMISSION				