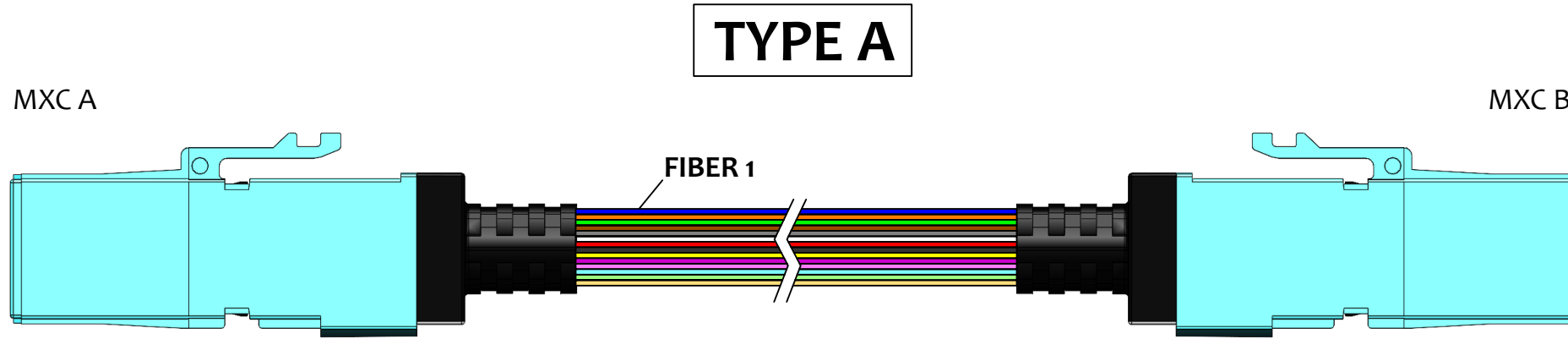


# MXC® Plug RECESSED FERRULE - MXC® Plug RECESSED FERRULE

FOR OTHER COMBINATION PLEASE SEE NEXT PAGE



CONNECTION TABLE	
MXC A	MXC B
<del>A1</del>	<del>D49</del>
<del>A2</del>	<del>D50</del>
A3	D51
A4	D52
A5	D53
A6	D54
A7	D55
A8	D56
A9	D57
A10	D58
A11	D59
A12	D60
A13	D61
A14	D62
<del>A15</del>	<del>D63</del>
<del>A16</del>	<del>D64</del>

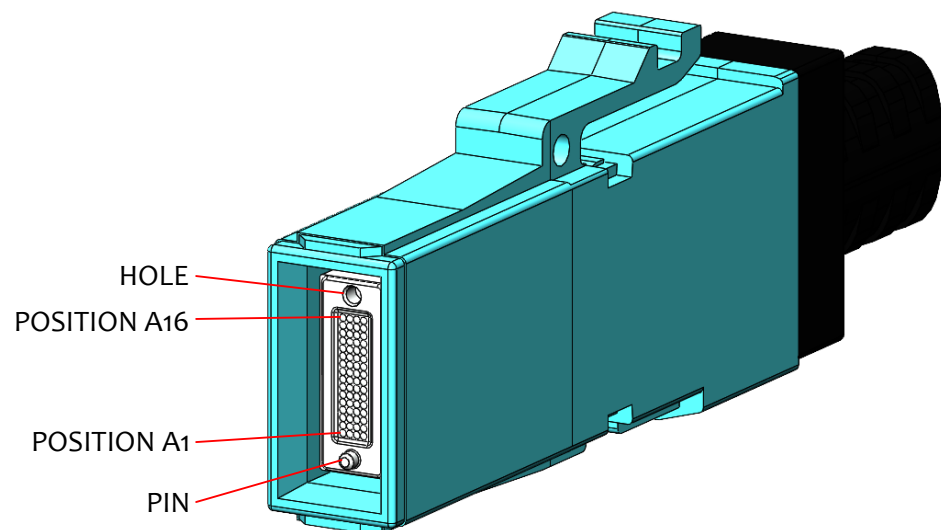
CONNECTION TABLE	
MXC A	MXC B
<del>D49</del>	<del>A1</del>
<del>D50</del>	<del>A2</del>
D51	A3
D52	A4
D53	A5
D54	A6
D55	A7
D56	A8
D57	A9
D58	A10
D59	A11
D60	A12
D61	A13
D62	A14
<del>D63</del>	<del>A15</del>
<del>D64</del>	<del>A16</del>

CONNECTION TABLE	
MXC A	MXC B
<del>B17</del>	<del>C33</del>
<del>B18</del>	<del>C34</del>
B19	C35
B20	C36
B21	C37
B22	C38
B23	C39
B24	C40
B25	C41
B26	C42
B27	C43
B28	C44
B29	C45
B30	C46
<del>B31</del>	<del>C47</del>
<del>B32</del>	<del>C48</del>

CONNECTION TABLE	
MXC A	MXC B
<del>C33</del>	<del>B17</del>
<del>C34</del>	<del>B18</del>
C35	B19
C36	B20
C37	B21
C38	B22
C39	B23
C40	B24
C41	B25
C42	B26
C43	B27
C44	B28
C45	B29
C46	B30
<del>C47</del>	<del>B31</del>
<del>C48</del>	<del>B32</del>

FOR 24F VERSION

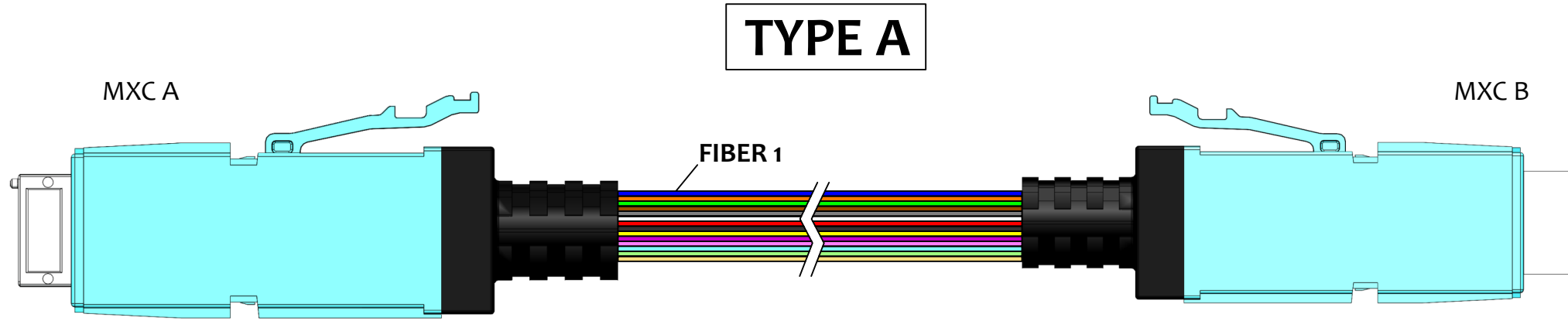
FOR 48F VERSION



REVISION-DATE: A - 01.10.2020	CHANGE:	DRAWN BY, DATE: M.Ruzbarsky 2020/10/01	TITLE: TYPES OF POLARITIES FOR MXC 24 / 48(4x12) FIBER CABLE	
<a href="#">New drawing</a>		CHECKED BY, DATE: Matus/Smel. 2020/10/01	PRODUCT SPECIFICATION: QPN /SPEC.	SCALE: NO SCALE
REVISION-DATE:	CHANGE:	APPROVED BY, DATE: L.Miskerik 2020/10/01	DIMENSIONS IN MM UNLESS SPECIFIED	SHEET NO. 1 of 6
REVISION-DATE:	CHANGE:	PRODUCT NUMBER:  B	DRAWING NUMBER: 1-W-8168_1_A	SIZE A3
THIS DRAWING CONTAINS INFORMATION THAT IS PROPRIETARY TO SYLEX s.r.o AND SHOULD NOT BE USED WITHOUT WRITTEN PERMISSION				

# MXC® Plug PROTRUDED FERRULE - MXC® Plug PROTRUDED FERRULE

FOR OTHER COMBINATION PLEASE SEE NEXT PAGE



**TYPE A**

CONNECTION TABLE	
MXC A	MXC B
<del>A1</del>	<del>D49</del>
<del>A2</del>	<del>D50</del>
A3	D51
A4	D52
A5	D53
A6	D54
A7	D55
A8	D56
A9	D57
A10	D58
A11	D59
A12	D60
A13	D61
A14	D62
<del>A15</del>	<del>D63</del>
<del>A16</del>	<del>D64</del>

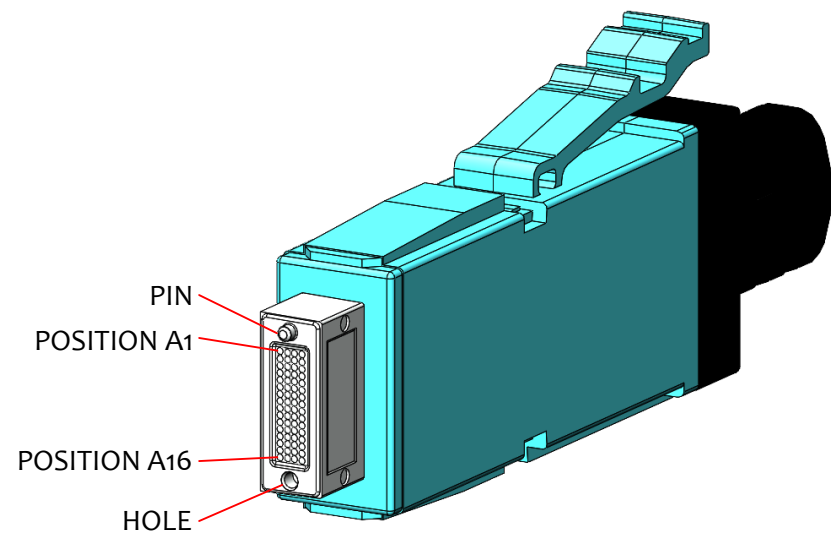
CONNECTION TABLE	
MXC A	MXC B
<del>D49</del>	<del>A1</del>
<del>D50</del>	<del>A2</del>
D51	A3
D52	A4
D53	A5
D54	A6
D55	A7
D56	A8
D57	A9
D58	A10
D59	A11
D60	A12
D61	A13
D62	A14
<del>D63</del>	<del>A15</del>
<del>D64</del>	<del>A16</del>

CONNECTION TABLE	
MXC A	MXC B
<del>B17</del>	<del>C33</del>
<del>B18</del>	<del>C34</del>
B19	C35
B20	C36
B21	C37
B22	C38
B23	C39
B24	C40
B25	C41
B26	C42
B27	C43
B28	C44
B29	C45
B30	C46
<del>B31</del>	<del>C47</del>
<del>B32</del>	<del>C48</del>

CONNECTION TABLE	
MXC A	MXC B
<del>C33</del>	<del>B17</del>
<del>C34</del>	<del>B18</del>
C35	B19
C36	B20
C37	B21
C38	B22
C39	B23
C40	B24
C41	B25
C42	B26
C43	B27
C44	B28
C45	B29
C46	B30
<del>C47</del>	<del>B31</del>
<del>C48</del>	<del>B32</del>

FOR 24F VERSION

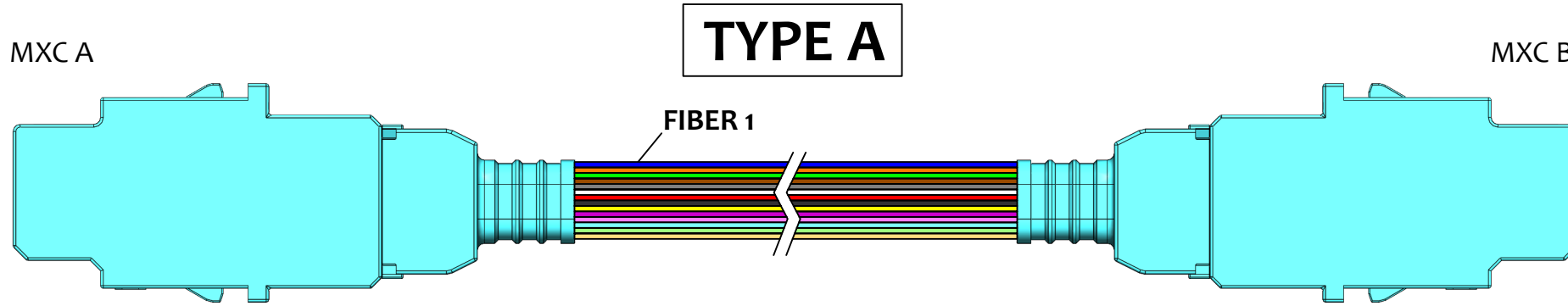
FOR 48F VERSION



REVISION-DATE: A - 01.10.2020	CHANGE:	DRAWN BY, DATE: M.Ruzbarsky 2020/10/01	TITLE: <b>TYPES OF POLARITIES FOR MXC 24 / 48(4x12) FIBER CABLE</b>	
REVISION-DATE:	CHANGE:	CHECKED BY, DATE: Matus/Smel. 2020/10/01	PRODUCT SPECIFICATION: QPN /SPEC.	
REVISION-DATE:	CHANGE:	APPROVED BY, DATE: L.Miskerik 2020/10/01		
REVISION-DATE:	CHANGE:	PRODUCT NUMBER:	DIMENSIONS IN MM UNLESS SPECIFIED	SCALE: NO SCALE
THIS DRAWING CONTAINS INFORMATION THAT IS PROPRIETARY TO SYLEX s.r.o AND SHOULD NOT BE USED WITHOUT WRITTEN PERMISSION			DRAWING NUMBER: 1-W-8168_2_A	SHEET NO. 2 of 6
			SIZE A3	

# MXC® Receptacle - MXC® Receptacle

FOR OTHER COMBINATION PLEASE SEE NEXT PAGE



CONNECTION TABLE	
MXC A	MXC B
<del>A1</del>	<del>D49</del>
<del>A2</del>	<del>D50</del>
A3	D51
A4	D52
A5	D53
A6	D54
A7	D55
A8	D56
A9	D57
A10	D58
A11	D59
A12	D60
A13	D61
A14	D62
<del>A15</del>	<del>D63</del>
<del>A16</del>	<del>D64</del>

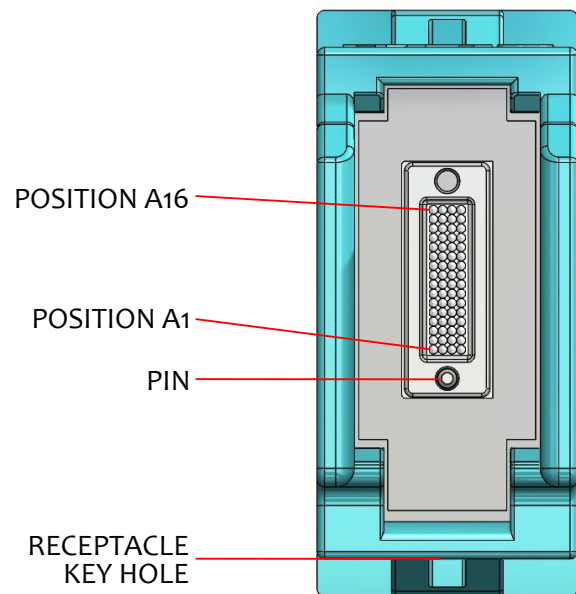
CONNECTION TABLE	
MXC A	MXC B
<del>D49</del>	<del>A1</del>
<del>D50</del>	<del>A2</del>
D51	A3
D52	A4
D53	A5
D54	A6
D55	A7
D56	A8
D57	A9
D58	A10
D59	A11
D60	A12
D61	A13
D62	A14
<del>D63</del>	<del>A15</del>
<del>D64</del>	<del>A16</del>

CONNECTION TABLE	
MXC A	MXC B
<del>B17</del>	<del>C33</del>
<del>B18</del>	<del>C34</del>
B19	C35
B20	C36
B21	C37
B22	C38
B23	C39
B24	C40
B25	C41
B26	C42
B27	C43
B28	C44
B29	C45
B30	C46
<del>B31</del>	<del>C47</del>
<del>B32</del>	<del>C48</del>

CONNECTION TABLE	
MXC A	MXC B
<del>C33</del>	<del>B17</del>
<del>C34</del>	<del>B18</del>
C35	B19
C36	B20
C37	B21
C38	B22
C39	B23
C40	B24
C41	B25
C42	B26
C43	B27
C44	B28
C45	B29
C46	B30
<del>C47</del>	<del>B31</del>
<del>C48</del>	<del>B32</del>

FOR 24F VERSION

FOR 48F VERSION

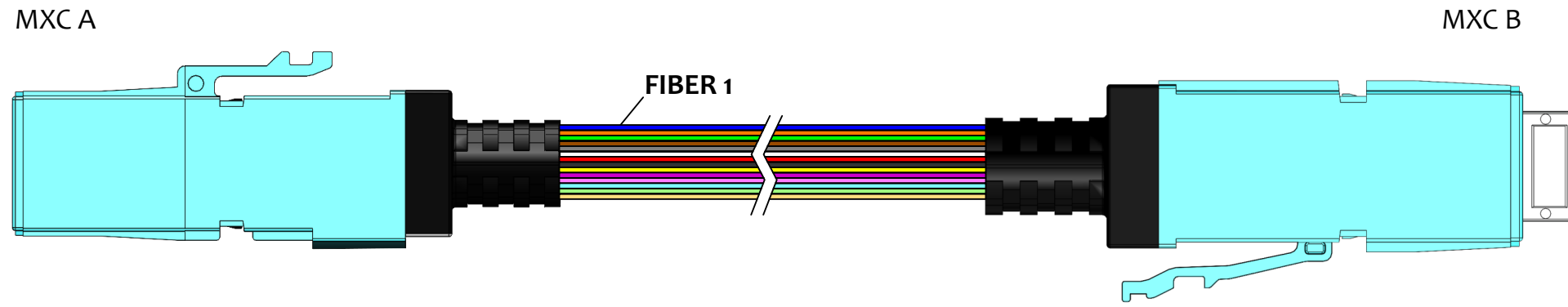


REVISION-DATE: A - 01.10.2020	CHANGE:	DRAWN BY, DATE: M.Ruzbarsky 2020/10/01	TITLE: <b>TYPES OF POLARITIES FOR MXC 24 / 48(4x12) FIBER CABLE</b>	
New drawing		CHECKED BY, DATE: Matus/Smel. 2020/10/01	PRODUCT SPECIFICATION: QPN /SPEC.	
APPROVED BY, DATE: L.Miskerik 2020/10/01		PRODUCT NUMBER: sylex	DIMENSIONS IN MM UNLESS SPECIFIED	SCALE: NO SCALE
REVISION-DATE:		DRAWING NUMBER: 1-W-8168_3_A		SHEET NO. 3 of 6
REVISION-DATE:		THIS DRAWING CONTAINS INFORMATION THAT IS PROPRIETARY TO SYLEX s.r.o AND SHOULD NOT BE USED WITHOUT WRITTEN PERMISSION		SIZE A3

# MXC® Plug RECESSED FERRULE - MXC® Plug PROTRUDED FERRULE

FOR OTHER COMBINATION PLEASE SEE NEXT PAGE

## TYPE A



CONNECTION TABLE	
MXC A	MXC B
<del>A1</del>	<del>D49</del>
<del>A2</del>	<del>D50</del>
A3	D51
A4	D52
A5	D53
A6	D54
A7	D55
A8	D56
A9	D57
A10	D58
A11	D59
A12	D60
A13	D61
A14	D62
<del>A15</del>	<del>D63</del>
<del>A16</del>	<del>D64</del>

CONNECTION TABLE	
MXC A	MXC B
<del>D49</del>	<del>A1</del>
<del>D50</del>	<del>A2</del>
D51	A3
D52	A4
D53	A5
D54	A6
D55	A7
D56	A8
D57	A9
D58	A10
D59	A11
D60	A12
D61	A13
D62	A14
<del>D63</del>	<del>A15</del>
<del>D64</del>	<del>A16</del>

CONNECTION TABLE	
MXC A	MXC B
<del>B17</del>	<del>C33</del>
<del>B18</del>	<del>C34</del>
B19	C35
B20	C36
B21	C37
B22	C38
B23	C39
B24	C40
B25	C41
B26	C42
B27	C43
B28	C44
B29	C45
B30	C46
<del>B31</del>	<del>C47</del>
<del>B32</del>	<del>C48</del>

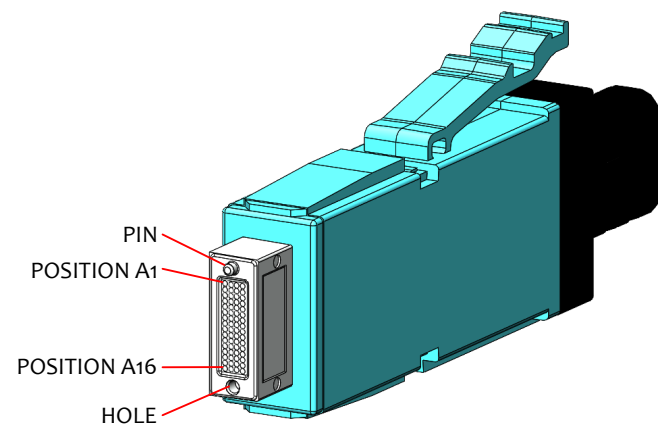
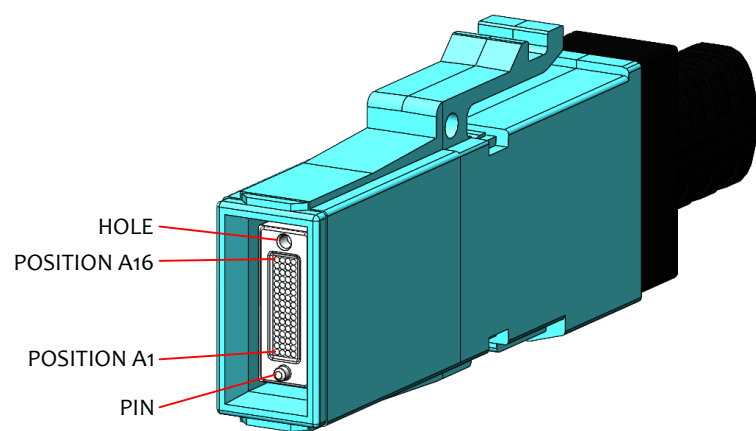
CONNECTION TABLE	
MXC A	MXC B
<del>C33</del>	<del>B17</del>
<del>C34</del>	<del>B18</del>
C35	B19
C36	B20
C37	B21
C38	B22
C39	B23
C40	B24
C41	B25
C42	B26
C43	B27
C44	B28
C45	B29
C46	B30
<del>C47</del>	<del>B31</del>
<del>C48</del>	<del>B32</del>

FOR 24F VERSION

FOR 48F VERSION

**MXC® Plug RECESSED FERRULE**

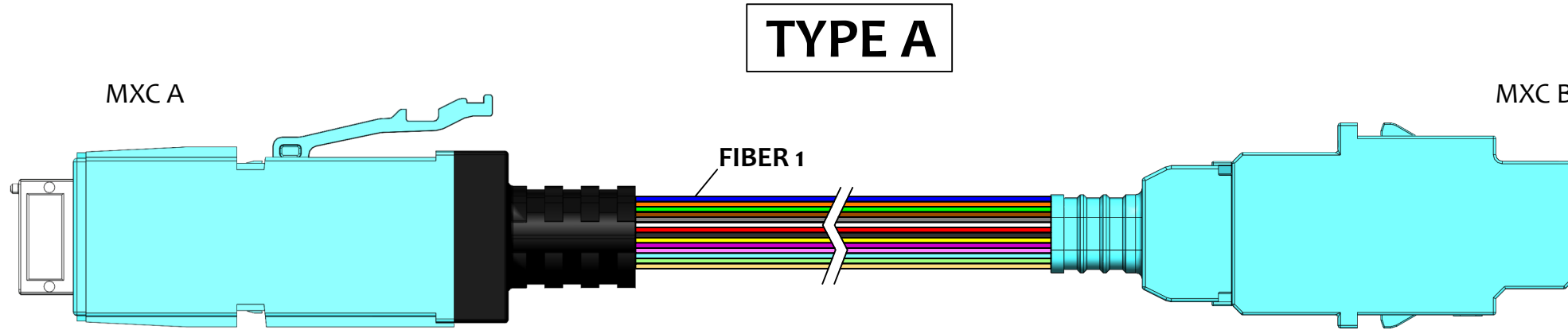
**MXC® Plug PROTRUDED FERRULE**



REVISION-DATE: A - 01.10.2020	CHANGE:	DRAWN BY, DATE: M.Ruzbarsky 2020/10/01	TITLE: <b>TYPES OF POLARITIES FOR MXC 24 / 48(4x12) FIBER CABLE</b>	
REVISION-DATE:	CHANGE:	CHECKED BY, DATE: Matus/Smel. 2020/10/01	PRODUCT SPECIFICATION: QPN /SPEC.	
REVISION-DATE:	CHANGE:	APPROVED BY, DATE: L.Miskerik 2020/10/01		
REVISION-DATE:	CHANGE:	PRODUCT NUMBER:	DIMENSIONS IN MM UNLESS SPECIFIED	SCALE: NO SCALE
THIS DRAWING CONTAINS INFORMATION THAT IS PROPRIETARY TO SYLEX s.r.o AND SHOULD NOT BE USED WITHOUT WRITTEN PERMISSION			DRAWING NUMBER: 1-W-8168_4_A	SHEET NO. 4 of 6
			SIZE A3	

# MXC® Plug PROTRUDED FERRULE - MXC® Receptacle

FOR OTHER COMBINATION PLEASE SEE NEXT PAGE



CONNECTION TABLE	
MXC A	MXC B
<del>A1</del>	<del>D49</del>
<del>A2</del>	<del>D50</del>
A3	D51
A4	D52
A5	D53
A6	D54
A7	D55
A8	D56
A9	D57
A10	D58
A11	D59
A12	D60
A13	D61
A14	D62
<del>A15</del>	<del>D63</del>
<del>A16</del>	<del>D64</del>

CONNECTION TABLE	
MXC A	MXC B
<del>D49</del>	<del>A1</del>
<del>D50</del>	<del>A2</del>
D51	A3
D52	A4
D53	A5
D54	A6
D55	A7
D56	A8
D57	A9
D58	A10
D59	A11
D60	A12
D61	A13
D62	A14
<del>D63</del>	<del>A15</del>
<del>D64</del>	<del>A16</del>

CONNECTION TABLE	
MXC A	MXC B
<del>B17</del>	<del>C33</del>
<del>B18</del>	<del>C34</del>
B19	C35
B20	C36
B21	C37
B22	C38
B23	C39
B24	C40
B25	C41
B26	C42
B27	C43
B28	C44
B29	C45
B30	C46
<del>B31</del>	<del>C47</del>
<del>B32</del>	<del>C48</del>

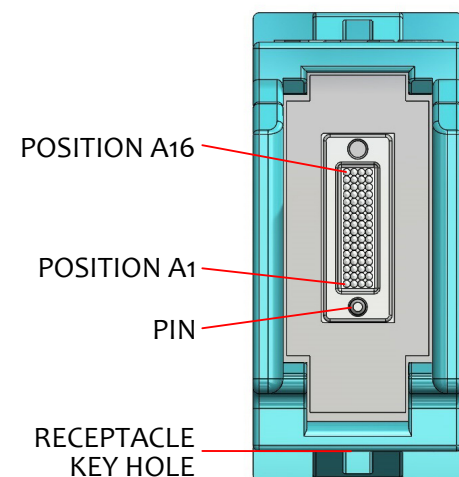
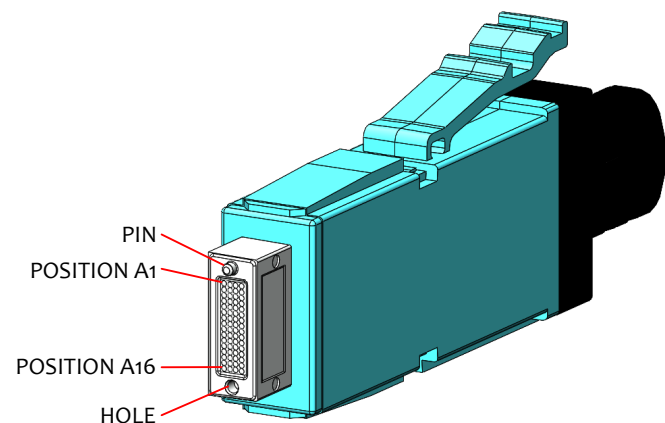
CONNECTION TABLE	
MXC A	MXC B
<del>C33</del>	<del>B17</del>
<del>C34</del>	<del>B18</del>
C35	B19
C36	B20
C37	B21
C38	B22
C39	B23
C40	B24
C41	B25
C42	B26
C43	B27
C44	B28
C45	B29
C46	B30
<del>C47</del>	<del>B31</del>
<del>C48</del>	<del>B32</del>

FOR 24F VERSION

FOR 48F VERSION

**MXC® Plug PROTRUDED FERRULE**

**MXC® Receptacle**

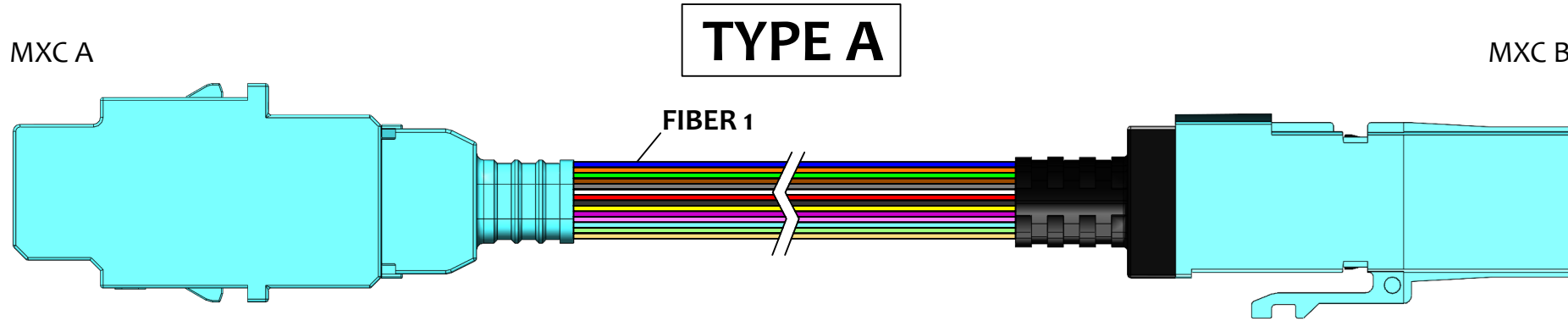


REVISION-DATE: A - 01.10.2020	CHANGE:	DRAWN BY, DATE: M.Ruzbarsky 2020/10/01	TITLE: TYPES OF POLARITIES FOR MXC 24 / 48(4x12) FIBER CABLE	
<a href="#">New drawing</a>		CHECKED BY, DATE: Matus/Smel. 2020/10/01	PRODUCT SPECIFICATION: QPN /SPEC.	
REVISION-DATE:	CHANGE:	APPROVED BY, DATE: L.Miskerik 2020/10/01	DIMENSIONS IN MM UNLESS SPECIFIED	SCALE: NO SCALE
REVISION-DATE:	CHANGE:	PRODUCT NUMBER:  B	DRAWING NUMBER: 1-W-8168_5_A	SHEET NO. 5 of 6
THIS DRAWING CONTAINS INFORMATION THAT IS PROPRIETARY TO SYLEX s.r.o AND SHOULD NOT BE USED WITHOUT WRITTEN PERMISSION			SIZE A3	



# MXC® Receptacle - MXC® Plug RECESSED FERRULE

FOR OTHER COMBINATION PLEASE SEE NEXT PAGE



CONNECTION TABLE	
MXC A	MXC B
<del>A1</del>	<del>D49</del>
<del>A2</del>	<del>D50</del>
A3	D51
A4	D52
A5	D53
A6	D54
A7	D55
A8	D56
A9	D57
A10	D58
A11	D59
A12	D60
A13	D61
A14	D62
<del>A15</del>	<del>D63</del>
<del>A16</del>	<del>D64</del>

CONNECTION TABLE	
MXC A	MXC B
<del>D49</del>	<del>A1</del>
<del>D50</del>	<del>A2</del>
D51	A3
D52	A4
D53	A5
D54	A6
D55	A7
D56	A8
D57	A9
D58	A10
D59	A11
D60	A12
D61	A13
D62	A14
<del>D63</del>	<del>A15</del>
<del>D64</del>	<del>A16</del>

CONNECTION TABLE	
MXC A	MXC B
<del>B17</del>	<del>C33</del>
<del>B18</del>	<del>C34</del>
B19	C35
B20	C36
B21	C37
B22	C38
B23	C39
B24	C40
B25	C41
B26	C42
B27	C43
B28	C44
B29	C45
B30	C46
<del>B31</del>	<del>C47</del>
<del>B32</del>	<del>C48</del>

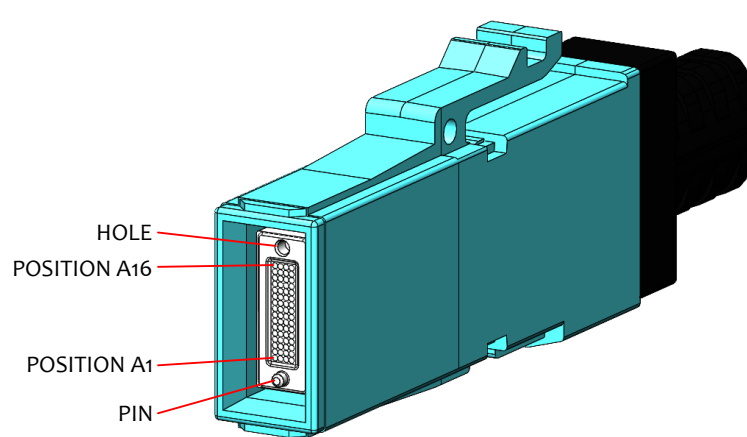
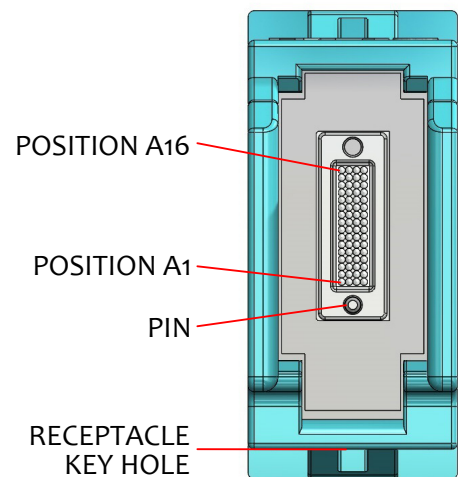
CONNECTION TABLE	
MXC A	MXC B
<del>C33</del>	<del>B17</del>
<del>C34</del>	<del>B18</del>
C35	B19
C36	B20
C37	B21
C38	B22
C39	B23
C40	B24
C41	B25
C42	B26
C43	B27
C44	B28
C45	B29
C46	B30
<del>C47</del>	<del>B31</del>
<del>C48</del>	<del>B32</del>

FOR 24F VERSION

FOR 48F VERSION

MXC® Receptacle

MXC® Plug RECESSED FERRULE



REVISION-DATE: A - 01.10.2020	CHANGE:	DRAWN BY, DATE: M.Ruzbarsky 2020/10/01	TITLE: TYPES OF POLARITIES FOR MXC 24 / 48(4x12) FIBER CABLE	
<a href="#">New drawing</a>		CHECKED BY, DATE: Matus/Smel. 2020/10/01	PRODUCT SPECIFICATION: QPN /SPEC.	
REVISION-DATE:	CHANGE:	APPROVED BY, DATE: L.Miskerik 2020/10/01	DIMENSIONS IN MM UNLESS SPECIFIED	SCALE: NO SCALE
REVISION-DATE:	CHANGE:	PRODUCT NUMBER:  B	DRAWING NUMBER: 1-W-8168_6_A	SHEET NO. 6 of 6
THIS DRAWING CONTAINS INFORMATION THAT IS PROPRIETARY TO SYLEX s.r.o AND SHOULD NOT BE USED WITHOUT WRITTEN PERMISSION			SIZE A3	