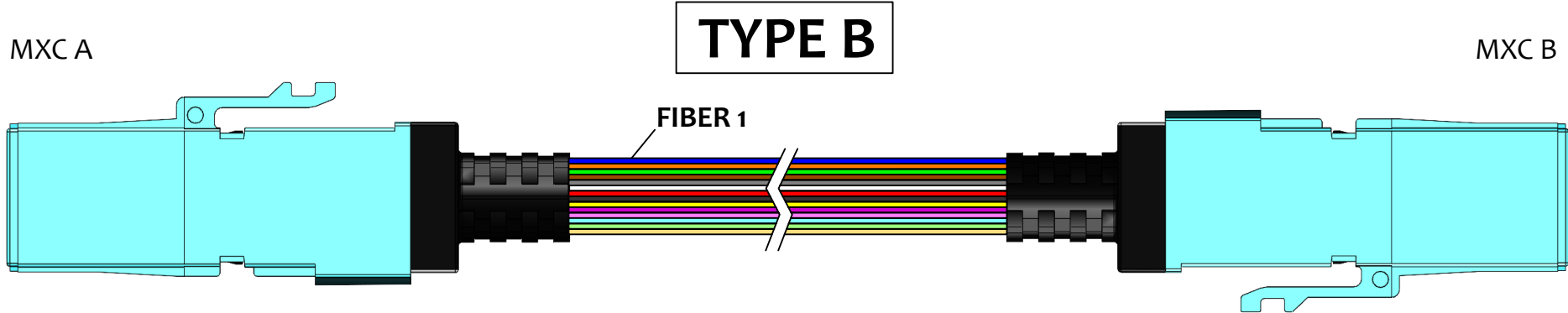
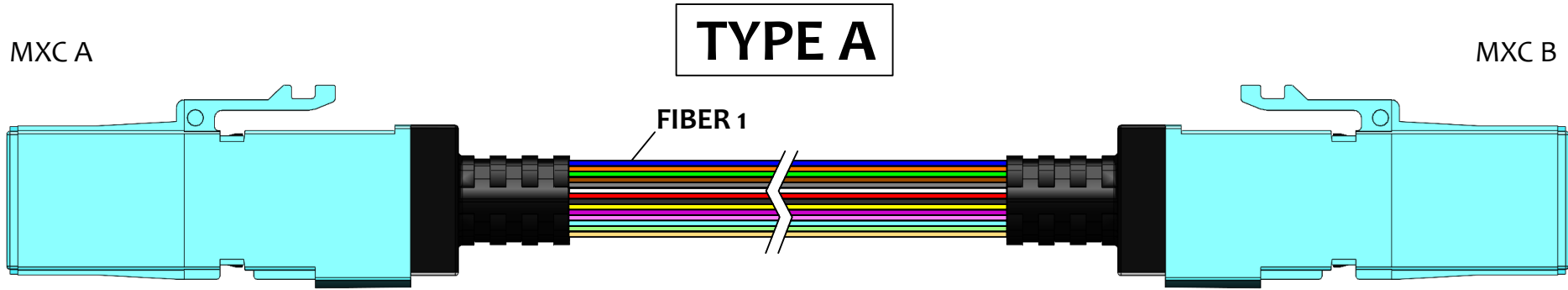


MXC® Plug RECESSED FERRULE - MXC® Plug RECESSED FERRULE

FOR OTHER COMBINATION PLEASE SEE NEXT PAGE

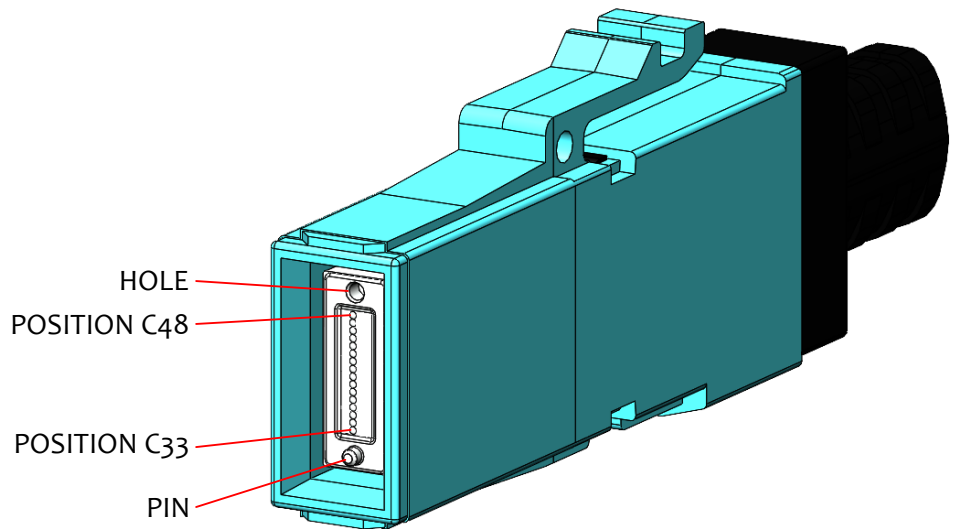


TYPE A

CONNECTION TABLE	
MXC A	MXC B
C33	C33
C34	C34
C35	C35
C36	C36
C37	C37
C38	C38
C39	C39
C40	C40
C41	C41
C42	C42
C43	C43
C44	C44
C45	C45
C46	C46
C47	C47
C48	C48

TYPE B

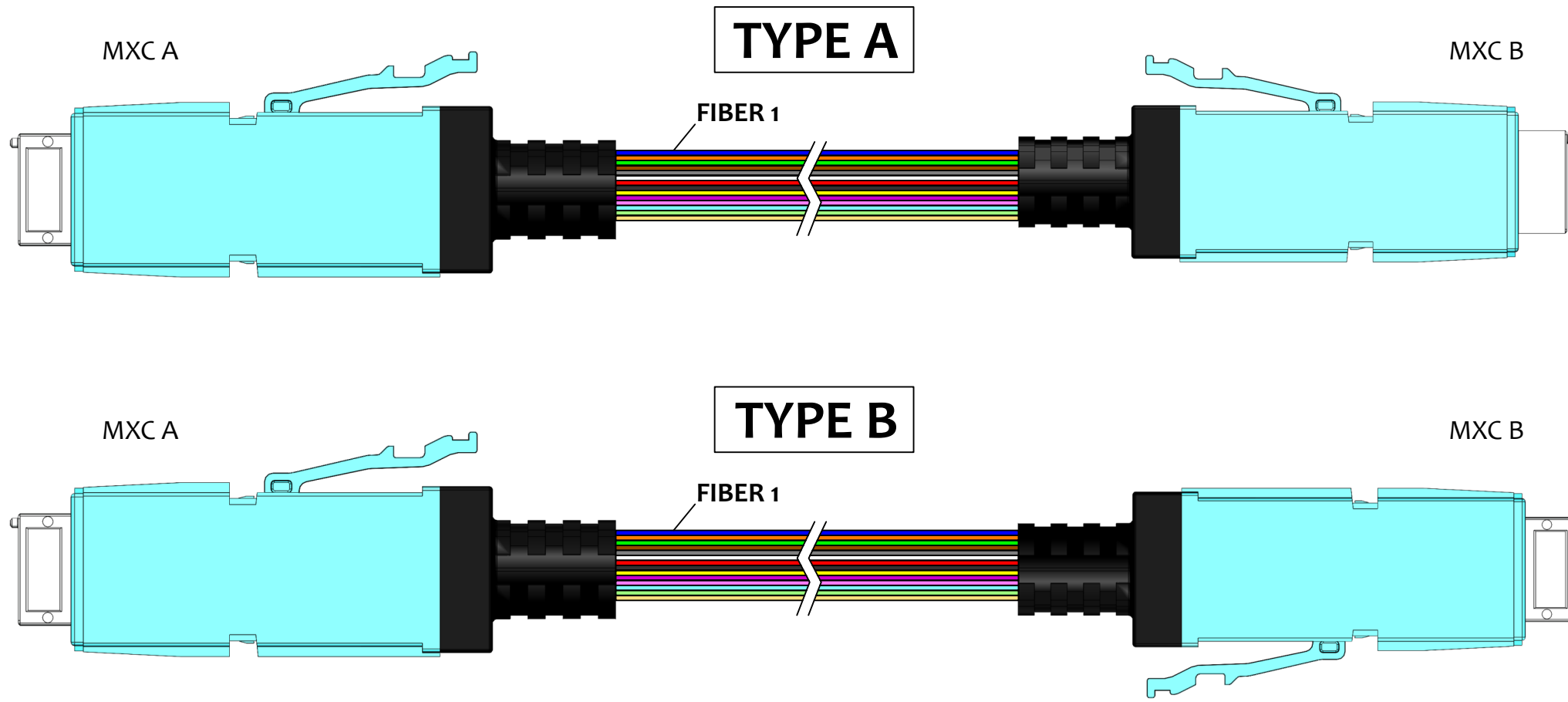
CONNECTION TABLE	
MXC A	MXC B
C33	C48
C34	C47
C35	C46
C36	C45
C37	C44
C38	C43
C39	C42
C40	C41
C41	C40
C42	C39
C43	C38
C44	C37
C45	C36
C46	C35
C47	C34
C48	C33



REVISION-DATE: A - 01.10.2020	CHANGE:	DRAWN BY, DATE: M.Ruzbarsky 2020/10/01	TYPES OF POLARITIES FOR MXC 12 FIBER CABLE		
New drawing		CHECKED BY, DATE: Matus/Smel. 2020/10/01			
REVISION-DATE:	CHANGE:	APPROVED BY, DATE: L.Miskerik 2020/10/01	PRODUCT SPECIFICATION: QPN /SPEC.	DIMENSIONS IN MM UNLESS SPECIFIED	SCALE: NO SCALE
REVISION-DATE:	CHANGE:	 B	PRODUCT NUMBER:	DRAWING NUMBER: 1-W-8167_1_A	SHEET NO. 1 of 6
THIS DRAWING CONTAINS INFORMATION THAT IS PROPRIETARY TO SYLEX s.r.o AND SHOULD NOT BE USED WITHOUT WRITTEN PERMISSION			SIZE A3		

MXC® Plug PROTRUDED FERRULE - MXC® Plug PROTRUDED FERRULE

FOR OTHER COMBINATION PLEASE SEE NEXT PAGE

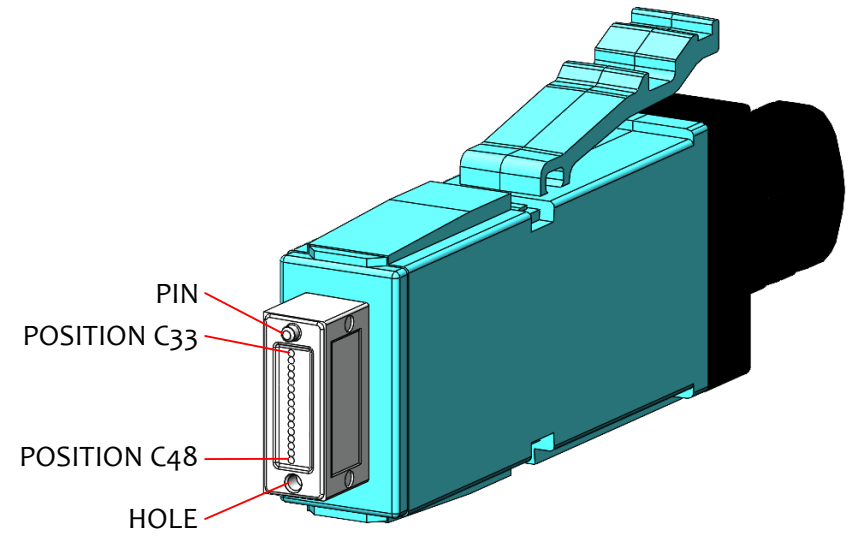


TYPE A

CONNECTION TABLE	
MXC A	MXC B
C33	C33
C34	C34
C35	C35
C36	C36
C37	C37
C38	C38
C39	C39
C40	C40
C41	C41
C42	C42
C43	C43
C44	C44
C45	C45
C46	C46
C47	C47
C48	C48

TYPE B

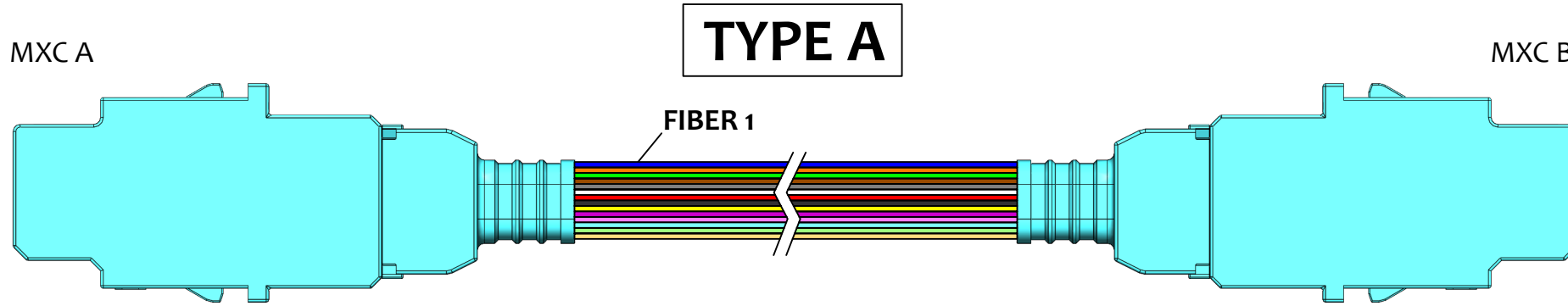
CONNECTION TABLE	
MXC A	MXC B
C33	C48
C34	C47
C35	C46
C36	C45
C37	C44
C38	C43
C39	C42
C40	C41
C41	C40
C42	C39
C43	C38
C44	C37
C45	C36
C46	C35
C47	C34
C48	C33



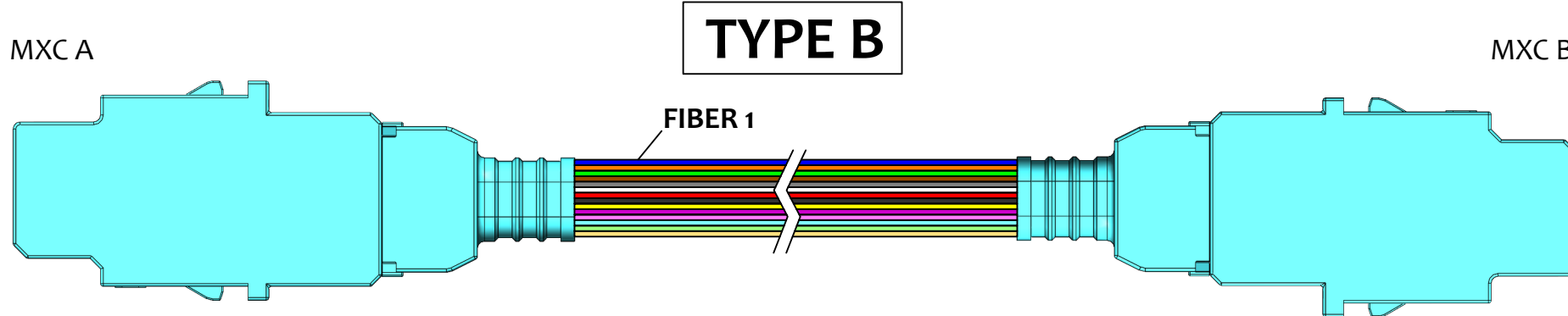
REVISION-DATE: A - 01.10.2020	CHANGE:	DRAWN BY, DATE: M.Ruzbarsky 2020/10/01	TYPES OF POLARITIES FOR MXC 12 FIBER CABLE		
New drawing		CHECKED BY, DATE: Matus/Smel. 2020/10/01			
REVISION-DATE:	CHANGE:	APPROVED BY, DATE: L.Miskerik 2020/10/01	PRODUCT SPECIFICATION: QPN /SPEC.	DIMENSIONS IN MM UNLESS SPECIFIED	SCALE: NO SCALE
REVISION-DATE:	CHANGE:	 B	PRODUCT NUMBER:	DRAWING NUMBER: 1-W-8167_2_A	SHEET NO. 2 of 6
THIS DRAWING CONTAINS INFORMATION THAT IS PROPRIETARY TO SYLEX s.r.o AND SHOULD NOT BE USED WITHOUT WRITTEN PERMISSION			SIZE A3		

MXC® Receptacle - MXC® Receptacle

FOR OTHER COMBINATION PLEASE SEE NEXT PAGE



TYPE A



TYPE B

TYPE A

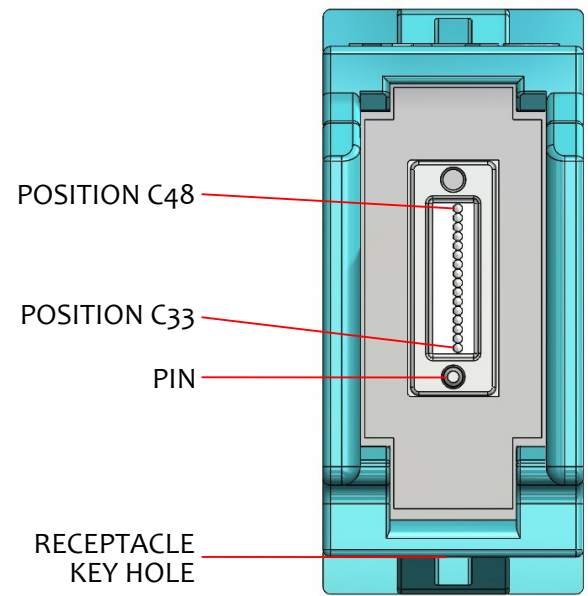
TYPE B

CONNECTION TABLE

	MXC A	MXC B
NOT USED	C33	C33
	C34	C34
	C35	C35
	C36	C36
	C37	C37
	C38	C38
	C39	C39
	C40	C40
	C41	C41
	C42	C42
	C43	C43
	C44	C44
NOT USED	C47	C47
	C48	C48

CONNECTION TABLE

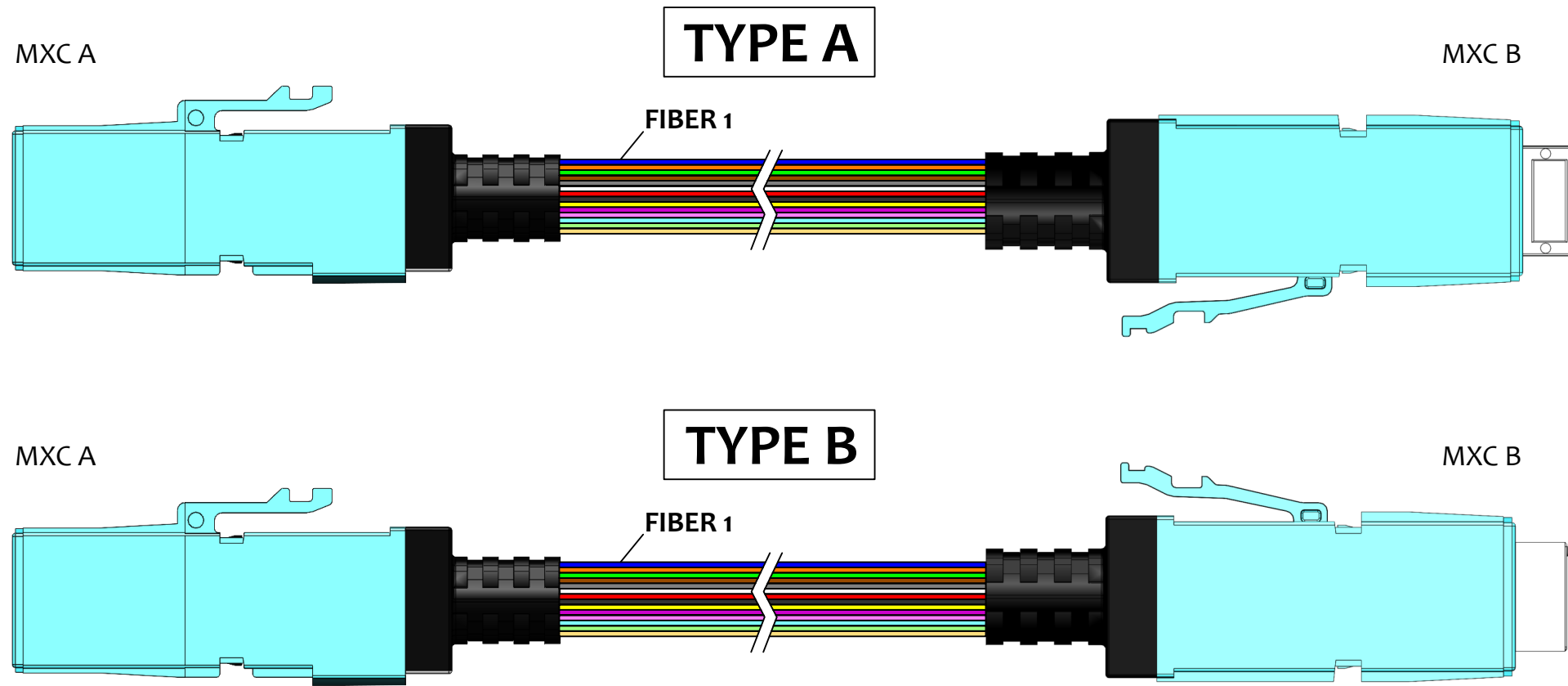
	MXC A	MXC B
NOT USED	C33	C48
	C34	C47
	C35	C46
	C36	C45
	C37	C44
	C38	C43
	C39	C42
	C40	C41
	C41	C40
	C42	C39
	C43	C38
	C44	C37
NOT USED	C47	C34
	C48	C33



REVISION-DATE: A - 01.10.2020	CHANGE:	DRAWN BY, DATE: M.Ruzbarsky 2020/10/01	TYPES OF POLARITIES FOR MXC 12 FIBER CABLE		
New drawing		CHECKED BY, DATE: Matus/Smel. 2020/10/01			
REVISION-DATE:	CHANGE:	APPROVED BY, DATE: L.Miskerik 2020/10/01	PRODUCT SPECIFICATION: QPN /SPEC.	DIMENSIONS IN MM UNLESS SPECIFIED	SCALE: NO SCALE
REVISION-DATE:	CHANGE:	 B	PRODUCT NUMBER:	DRAWING NUMBER: 1-W-8167_3_A	SHEET NO. 3 of 6
THIS DRAWING CONTAINS INFORMATION THAT IS PROPRIETARY TO SYLEX s.r.o AND SHOULD NOT BE USED WITHOUT WRITTEN PERMISSION			SIZE A3		

MXC® Plug RECESSED FERRULE - MXC® Plug PROTRUDED FERRULE

FOR OTHER COMBINATION PLEASE SEE NEXT PAGE



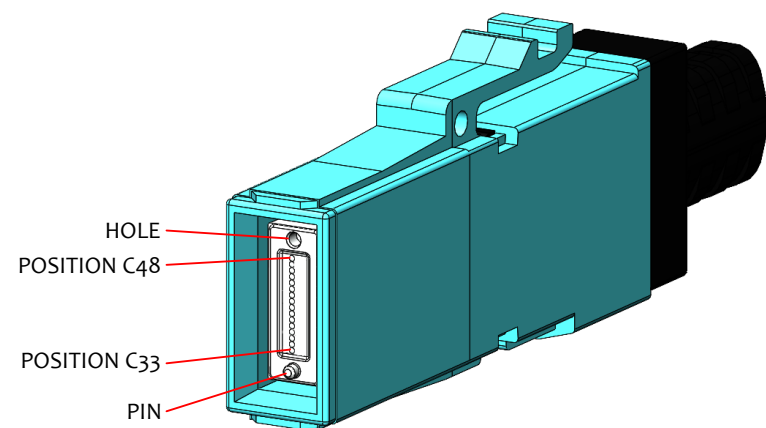
TYPE A

CONNECTION TABLE	
MXC A	MXC B
C33	C33
C34	C34
C35	C35
C36	C36
C37	C37
C38	C38
C39	C39
C40	C40
C41	C41
C42	C42
C43	C43
C44	C44
C45	C45
C46	C46
C47	C47
C48	C48

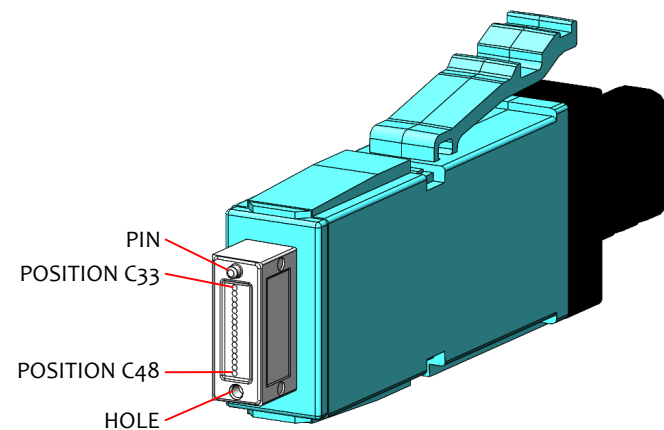
TYPE B

CONNECTION TABLE	
MXC A	MXC B
C33	C48
C34	C47
C35	C46
C36	C45
C37	C44
C38	C43
C39	C42
C40	C41
C41	C40
C42	C39
C43	C38
C44	C37
C45	C36
C46	C35
C47	C34
C48	C33

MXC® Plug RECESSED FERRULE



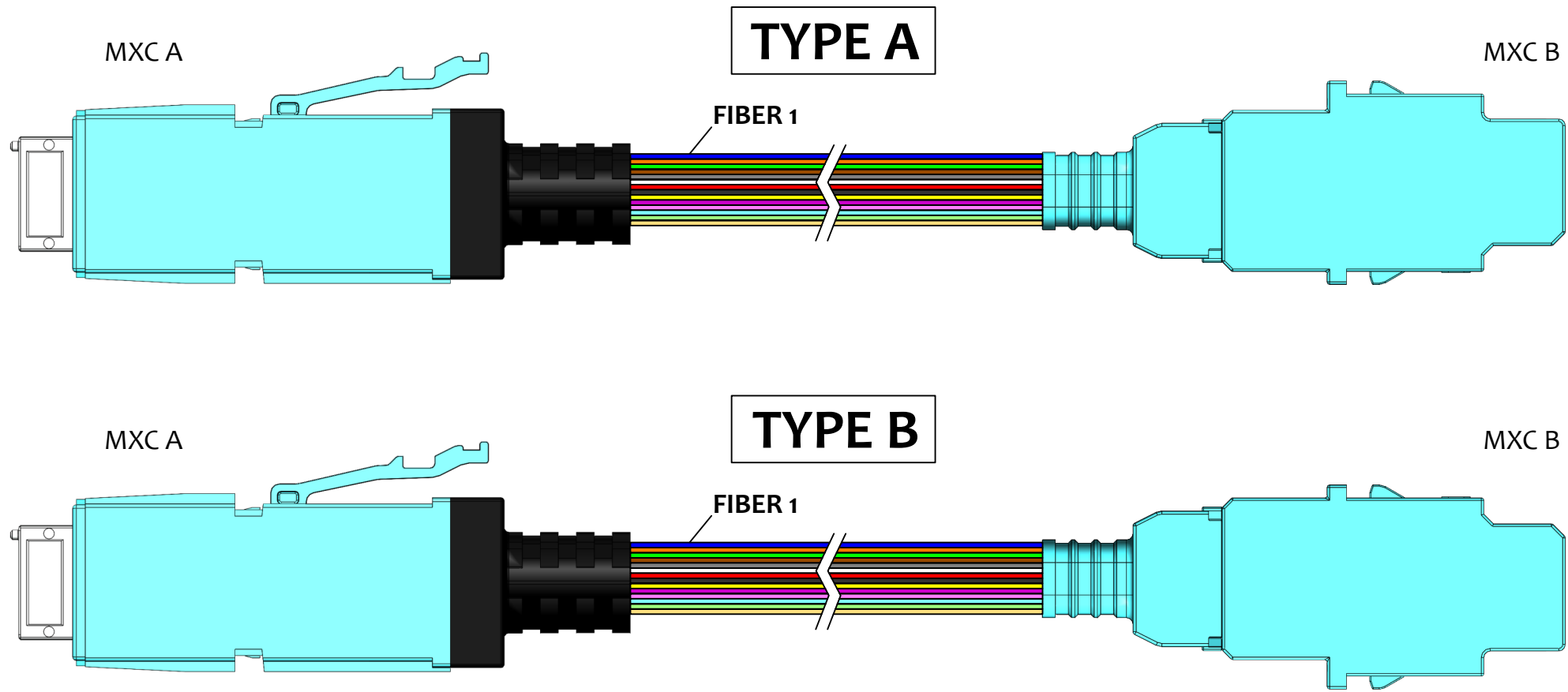
MXC® Plug PROTRUDED FERRULE



REVISION-DATE: A - 01.10.2020	CHANGE:	DRAWN BY, DATE: M.Ruzbarsky 2020/10/01	TITLE: TYPES OF POLARITIES FOR MXC 12 FIBER CABLE		
New drawing		CHECKED BY, DATE: Matus/Smel. 2020/10/01			
REVISION-DATE:	CHANGE:	APPROVED BY, DATE: L.Miskerik 2020/10/01	PRODUCT SPECIFICATION: QPN /SPEC.	DIMENSIONS IN MM UNLESS SPECIFIED	SCALE: NO SCALE
REVISION-DATE:	CHANGE:	PRODUCT NUMBER:	DRAWING NUMBER: 1-W-8167_4_A	SHEET NO. 4 of 6	
			THIS DRAWING CONTAINS INFORMATION THAT IS PROPRIETARY TO SYLEX s.r.o AND SHOULD NOT BE USED WITHOUT WRITTEN PERMISSION		SIZE A3

MXC® Plug PROTRUDED FERRULE - MXC® Receptacle

FOR OTHER COMBINATION PLEASE SEE NEXT PAGE



TYPE A

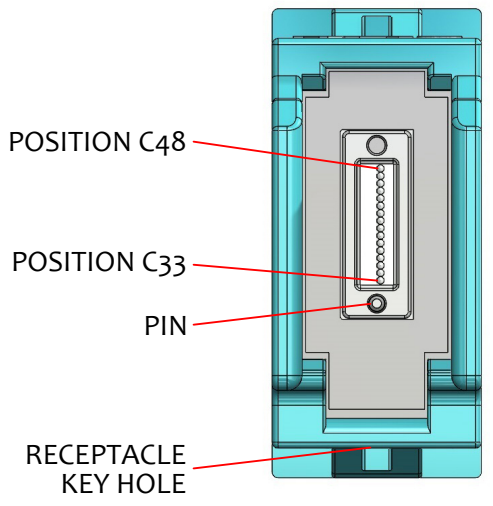
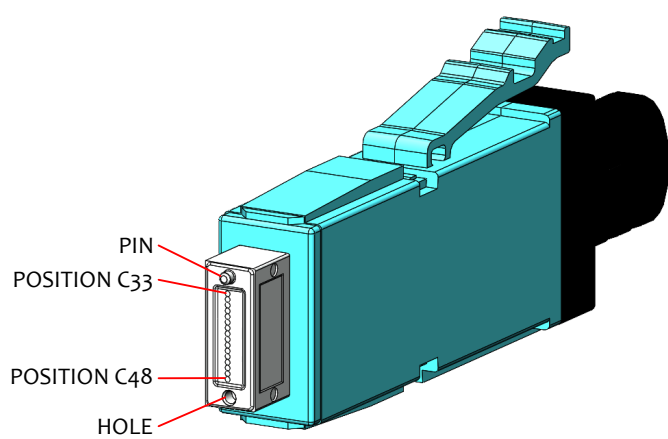
CONNECTION TABLE	
MXC A	MXC B
C33	C33
C34	C34
C35	C35
C36	C36
C37	C37
C38	C38
C39	C39
C40	C40
C41	C41
C42	C42
C43	C43
C44	C44
C45	C45
C46	C46
C47	C47
C48	C48

TYPE B

CONNECTION TABLE	
MXC A	MXC B
C33	C48
C34	C47
C35	C46
C36	C45
C37	C44
C38	C43
C39	C42
C40	C41
C41	C40
C42	C39
C43	C38
C44	C37
C45	C36
C46	C35
C47	C34
C48	C33

MXC® Plug PROTRUDED FERRULE

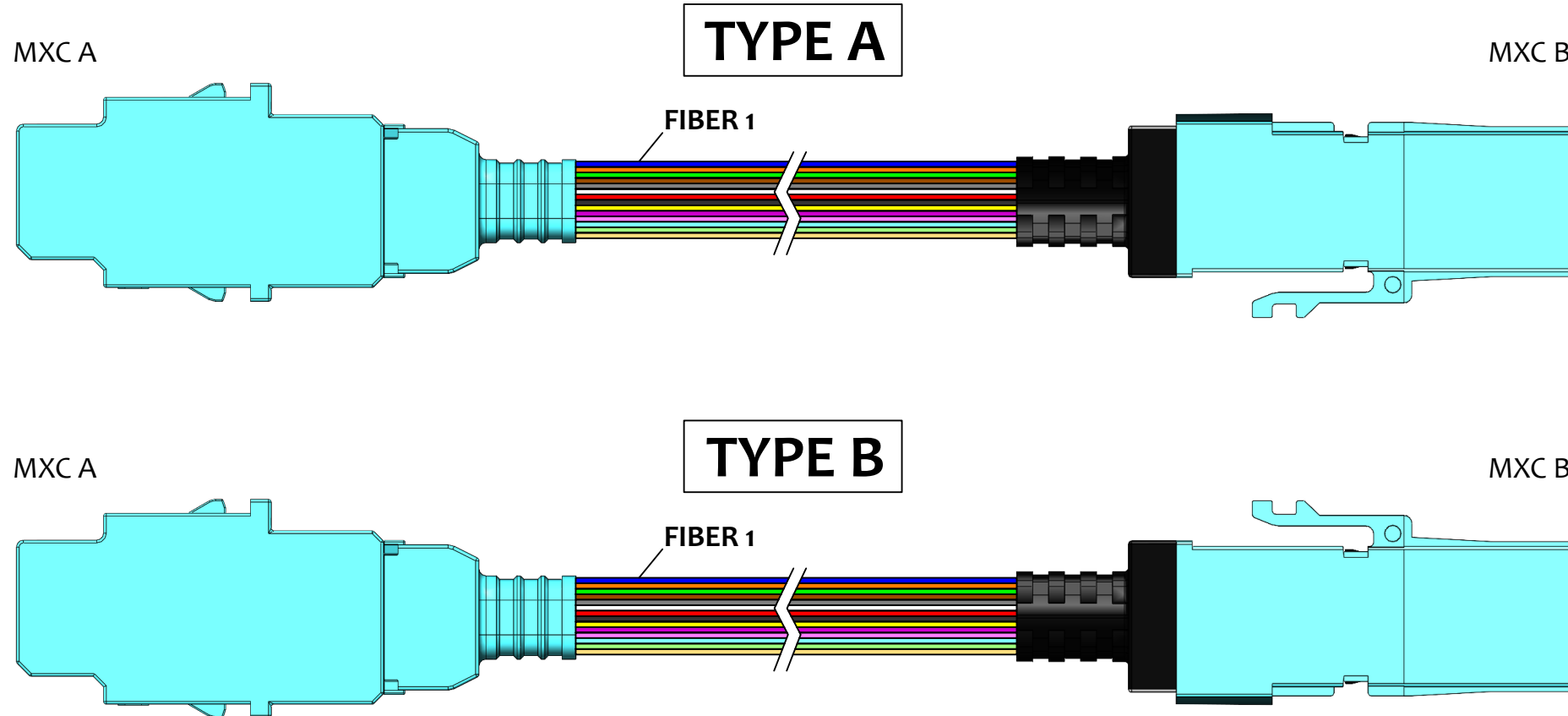
MXC® Receptacle



REVISION-DATE: A - 01.10.2020	CHANGE:	DRAWN BY, DATE: M.Ruzbarsky 2020/10/01	TYPES OF POLARITIES FOR MXC 12 FIBER CABLE		
New drawing		CHECKED BY, DATE: Matus/Smel. 2020/10/01			
REVISION-DATE:	CHANGE:	APPROVED BY, DATE: L.Miskerik 2020/10/01	PRODUCT SPECIFICATION: QPN /SPEC.	DIMENSIONS IN MM UNLESS SPECIFIED	SCALE: NO SCALE
REVISION-DATE:	CHANGE:	PRODUCT NUMBER: B	DRAWING NUMBER: 1-W-8167_5_A	SHEET NO. 5 of 6	
THIS DRAWING CONTAINS INFORMATION THAT IS PROPRIETARY TO SYLEX s.r.o AND SHOULD NOT BE USED WITHOUT WRITTEN PERMISSION			SIZE A3		

MXC® Receptacle - MXC® Plug RECESSED FERRULE

FOR OTHER COMBINATION PLEASE SEE NEXT PAGE

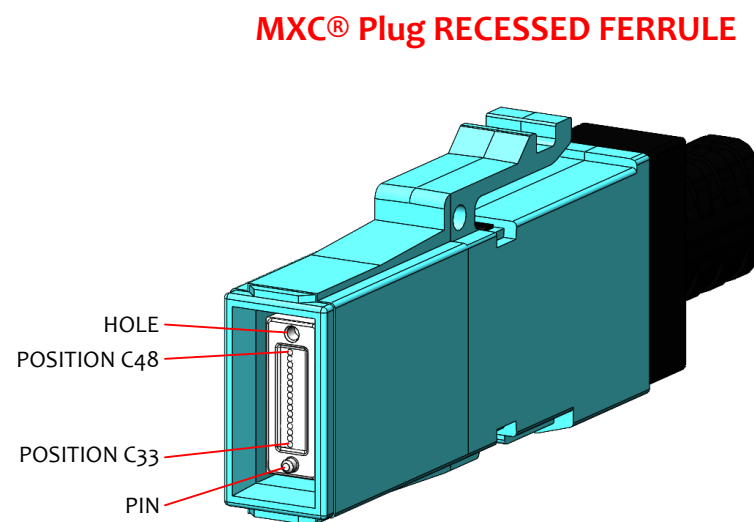
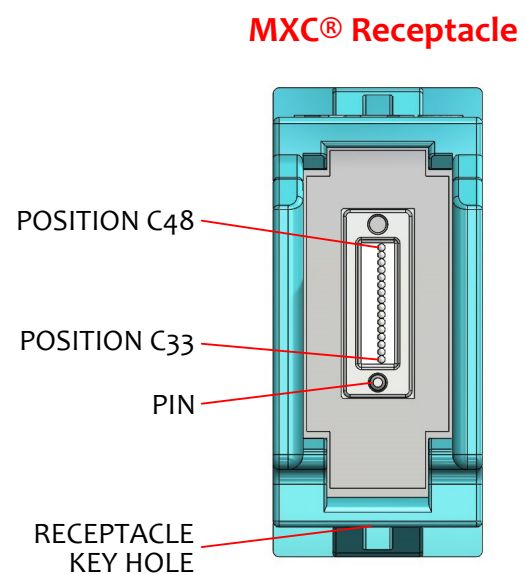


TYPE A

CONNECTION TABLE	
MXC A	MXC B
C33	C33
C34	C34
C35	C35
C36	C36
C37	C37
C38	C38
C39	C39
C40	C40
C41	C41
C42	C42
C43	C43
C44	C44
C45	C45
C46	C46
C47	C47
C48	C48

TYPE B

CONNECTION TABLE	
MXC A	MXC B
C33	C48
C34	C47
C35	C46
C36	C45
C37	C44
C38	C43
C39	C42
C40	C41
C41	C40
C42	C39
C43	C38
C44	C37
C45	C36
C46	C35
C47	C34
C48	C33



REVISION-DATE: A - 01.10.2020	CHANGE:	DRAWN BY, DATE: M.Ruzbarsky 2020/10/01	TITLE: TYPES OF POLARITIES FOR MXC 12 FIBER CABLE		
New drawing		CHECKED BY, DATE: Matus/Smel. 2020/10/01			
REVISION-DATE:	CHANGE:	APPROVED BY, DATE: L.Miskerik 2020/10/01	PRODUCT SPECIFICATION: QPN /SPEC.	DIMENSIONS IN MM UNLESS SPECIFIED	SCALE: NO SCALE
REVISION-DATE:	CHANGE:		PRODUCT NUMBER:	DRAWING NUMBER: 1-W-8167_6_A	SHEET NO. 6 of 6
			THIS DRAWING CONTAINS INFORMATION THAT IS PROPRIETARY TO SYLEX s.r.o AND SHOULD NOT BE USED WITHOUT WRITTEN PERMISSION		SIZE A3