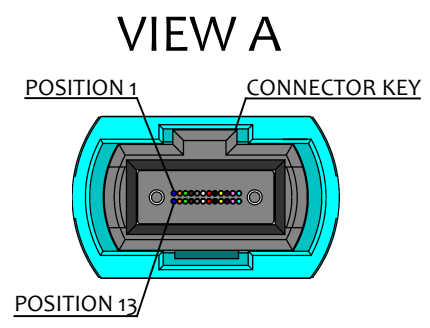
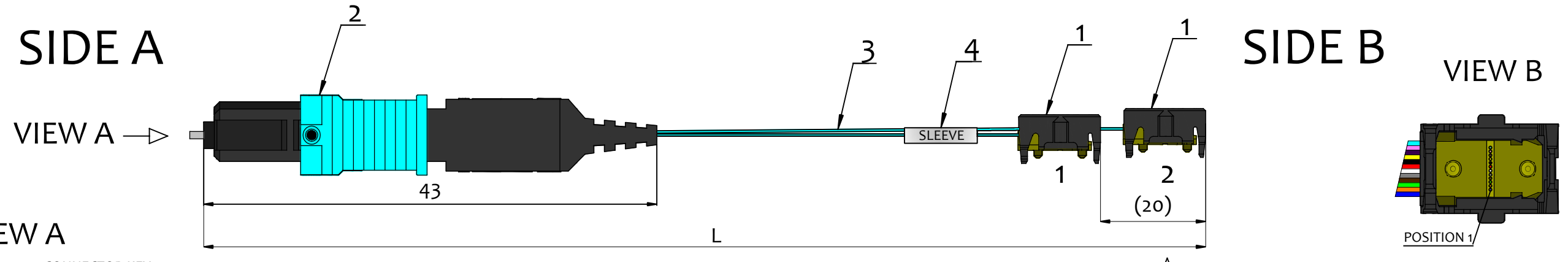
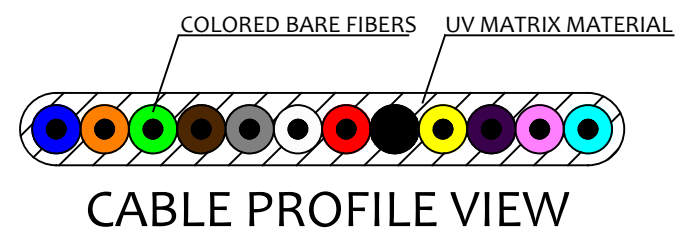


| PRODUCT NUMBER : | L[m] | PRIZM LT IL | MTP IL | PRODUCT | |
|---------------------------|--------------|-------------|---------|---|------------------------|
| | | at 850 nm | | | |
| 1-500-610-240-680/G1/XXXX | $L \pm 0.00$ | 2.0 dB | 0.6 dB | 2xPRIZM LT-MTP(female) 24-fiber standard | STANDARD HOUSING |
| 1-500-620-240-680/G2/XXXX | $L \pm 0.00$ | 2.0 dB | 0.6 dB | 2xPRIZM LT-MTP(male) 24-fiber standard | |
| 1-500-610-240-680/G3/XXXX | $L \pm 0.00$ | 2.0 dB | 0.35 dB | 2xPRIZM LT-MTP(female) 24-fiber low loss | |
| 1-500-620-240-680/G4/XXXX | $L \pm 0.00$ | 2.0 dB | 0.35 dB | 2xPRIZM LT-MTP(male) 24-fiber low loss | |
| 1-500-610-240-680/G5/XXXX | $L \pm 0.00$ | 2.0 dB | 0.6 dB | 2xPRIZM LT reduced height-MTP(female) 24-fiber standard | REDUCED HEIGHT HOUSING |
| 1-500-620-240-680/G6/XXXX | $L \pm 0.00$ | 2.0 dB | 0.6 dB | 2xPRIZM LT reduced height-MTP(male) 24-fiber standard | |
| 1-500-610-240-680/G7/XXXX | $L \pm 0.00$ | 2.0 dB | 0.35 dB | 2xPRIZM LT reduced height-MTP(female) 24-fiber low loss | LOW PROFILE HOUSING |
| 1-500-620-240-680/G8/XXXX | $L \pm 0.00$ | 2.0 dB | 0.35 dB | 2xPRIZM LT reduced height-MTP(male) 24-fiber low loss | |
| 1-520-610-240-680/G1/XXXX | $L \pm 0.00$ | 2.0 dB | 0.6 dB | 2xPRIZM LT low profile-MTP(female) 24-fiber standard | LOW PROFILE HOUSING |
| 1-520-620-240-680/G2/XXXX | $L \pm 0.00$ | 2.0 dB | 0.6 dB | 2xPRIZM LT low profile-MTP(male) 24-fiber standard | |
| 1-520-610-240-680/G3/XXXX | $L \pm 0.00$ | 2.0 dB | 0.35 dB | 2xPRIZM LT low profile-MTP(female) 24-fiber low loss | |
| 1-520-620-240-680/G4/XXXX | $L \pm 0.00$ | 2.0 dB | 0.35 dB | 2xPRIZM LT low profile-MTP(male) 24-fiber low loss | |

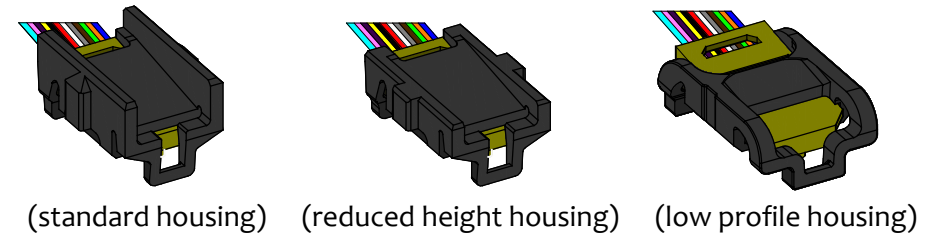
XXXX IN THE PN REPRESENTS LENGTH OF ASSEMBLY AND VARIES FOR EACH LENGTH

| LENGTH TOLERANCE | |
|--------------------|----------------|
| Length interval(m) | Tolerance(m) |
| 0 - 1,000 | + 0,003 - 0 |
| +1,001 | + 0,01 - 0 |



| CONNECTION | | | |
|------------|--------------|---------|---------|
| SIDE A | FIBER COLOUR | SIDE B1 | SIDE B2 |
| 1,13 | BLUE | 1 | 1 |
| 2,14 | ORANGE | 2 | 2 |
| 3,15 | GREEN | 3 | 3 |
| 4,16 | BROWN | 4 | 4 |
| 5,17 | GREY | 5 | 5 |
| 6,18 | WHITE | 6 | 6 |
| 7,19 | RED | 7 | 7 |
| 8,20 | BLACK | 8 | 8 |
| 9,21 | YELLOW | 9 | 9 |
| 10,22 | PURPLE | 10 | 10 |
| 11,23 | PINK | 11 | 11 |
| 12,24 | AQUA | 12 | 12 |

PRIZM LT 3D DETAIL



| BOM | | |
|-----|-----------------------------------|------|
| NO: | DESCRIPTION | QTY: |
| 1 | PRIZM LT CONNECTOR | 2 |
| 2 | MTP CONNECTOR, 24F | 1 |
| 3 | BARE RIBBON OM3 12F, Non-Peelable | 2xL |
| 4 | MARKING SLEEVE 25mm | 1 |

NOTES:

- DUST CAPS ARE INCLUDED BUT NOT SHOWN
- ASSEMBLY PACKED ACCORDING TO PACKAGING SPECIFICATION: 1-B-1531
- CUMULATIVE TEST REPORT SYX-CTRT-01 OF MEASURED IL (MTP, PRIZM LT) AND RL (MTP) VALUES SENT ON DEMAND IN ELECTRONIC FORM
- VISUAL ASPECT OF MTP CONNECTOR CHECK ACCORDING TO IEC 61300-3-35. END FACE GEOMETRY ACCORDING TO TELCORDIA GR-1435
- MTP MALE CONNECTOR IS SHOWN
MTP FEMALE CONNECTOR IS WITHOUT GUIDING PINS
- SYLEX-SX-O LABEL ON PRODUCT PACKAGING AND OUTER CARDBOARD BOX

| | | | | |
|-------------------------------|---------|--|--|------------------|
| REVISION-DATE: A - 28.01.2013 | CHANGE: | DRAWN BY, DATE: M.Ruzbarsky 28.01.2013 | TITLE: 2xPRIZM LT-MTP 24F OM3 bare ribbon assembly | |
| New drawing | | CHECKED BY, DATE: E.Koza 04.02.2013 | PRODUCT SPECIFICATION: ID: 429 | SCALE: NO SCALE |
| REVISION-DATE: B - 01.08.2014 | CHANGE: | APPROVED BY, DATE: I.Golian 04.02.2013 | DIMENSIONS IN MM UNLESS SPECIFIED | SHEET NO. 1 of 1 |
| Added information | | PRODUCT NUMBER: 1-5x0-6x0-240-680/Gx/XXXX | DRAWING NUMBER: 1-5-1876_1_C | SIZE A3 |
| REVISION-DATE: C - 24.09.2015 | CHANGE: | THIS DRAWING CONTAINS INFORMATION THAT IS PROPRIETARY TO SYLEX s.r.o AND SHOULD NOT BE USED WITHOUT WRITTEN PERMISSION | | |
| Length tolerance has changed | | | | |

VN-035
MARKING SLEEVE(POS. 4)

| | |
|--------------|------------|
| SN: XXXXX | month/year |
| www.sylex.sk | |